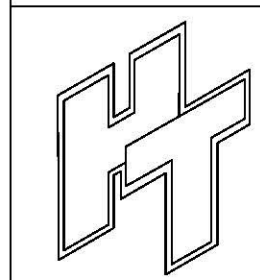
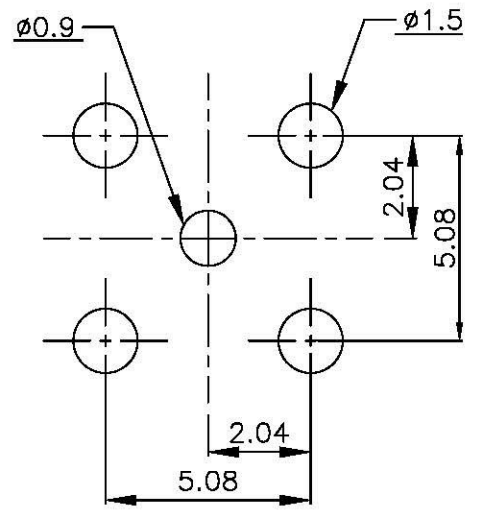
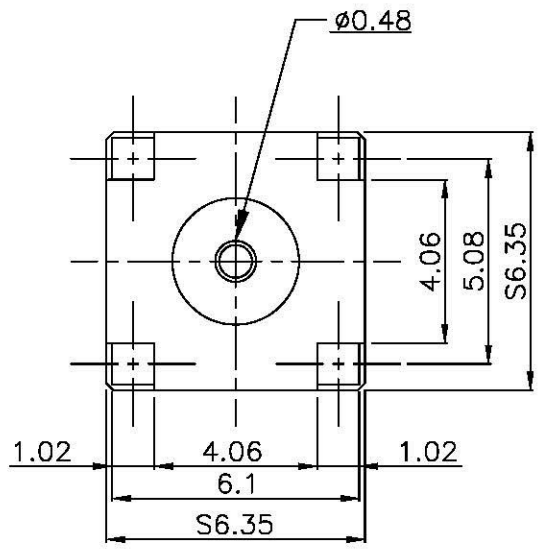
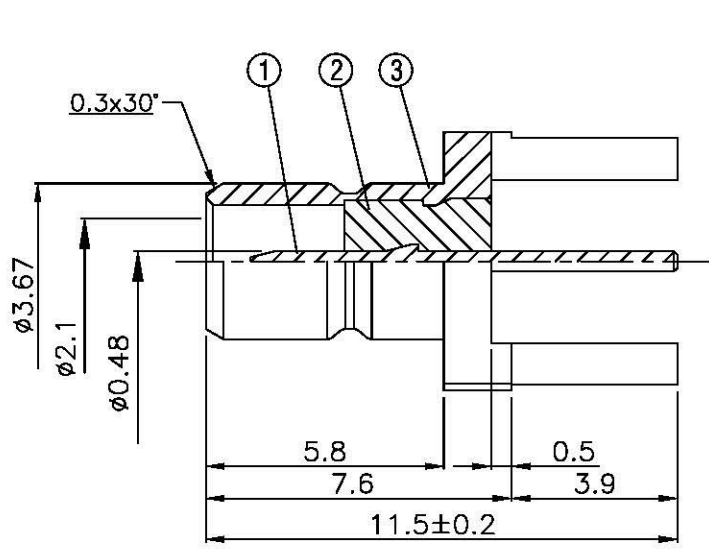
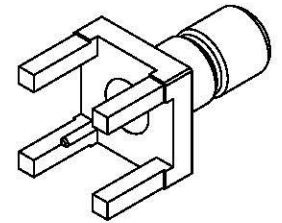


NO	DESCRIPTION	MATERIAL	Q'TY	FINISH	REMARK
1	PIN	PH.BRONZE	1	GOLD	P-SMB0366-G
2	INSULATION	TEFLON	1	TEFLON	I-0206T
3	BODY	BRASS	1	GOLD	B-SMB0567-G



Allconnectors
 www.allconnectors.de info@allconnectors.de
 Tel.: 0049 733 7009303 Fax: 0049 733 7009341
 70794 Filderstadt, Germany Kollernstr. 25

TITLE SMB MALE PCB MOUNT 75 ohm

PART NO. SMB-10-TGG-75

DRAWING NO. SMB 10 TGG-75

DRAWN MARY **DATE** 96.06.29

CHECKED 蘇志欣 **DATE**

Q.A. 蘇姿潔 **DATE**

APPROVAL 徐燦霖 **DATE**

REVISION **DATE**

DIMENSIONS ARE IN MILLIMETERS

UNLESS OTHERWISE SPECIFIED TOLERANCE

0.5-5=±0.2	120-315=±1
5-30=±0.4	315-1000=±1.6
30-120±0.6	1000-2000=±2.4

SCALE 4:1 **SIZE** A

REVISION	
DESCRIPTION	ENGINEER