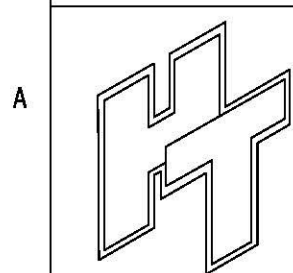
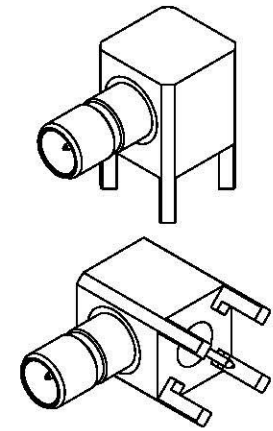
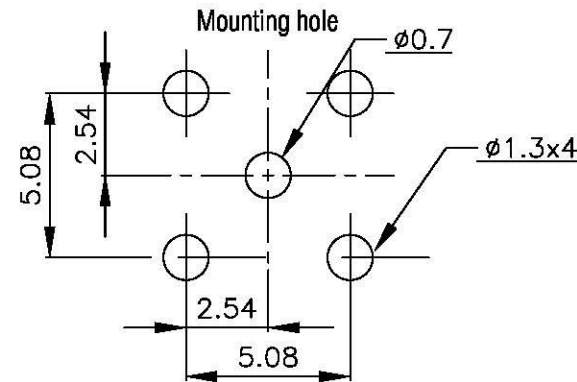
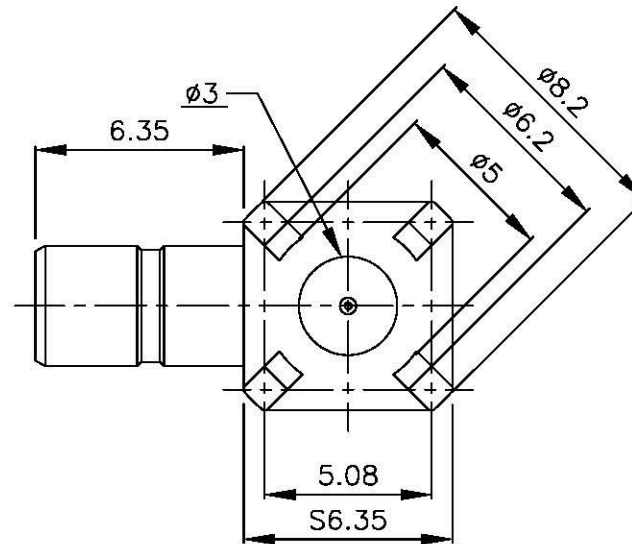
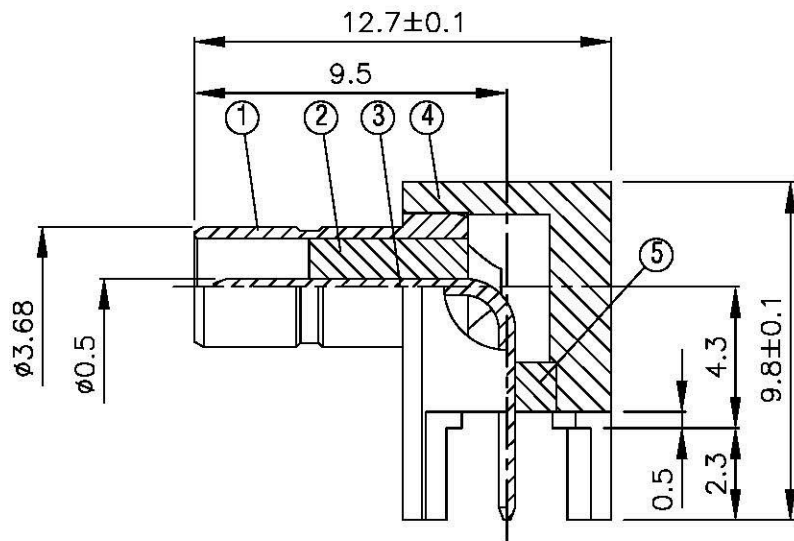


NO	DESCRIPTION	MATERIAL	Q'TY	FINISH	REMARK
1	BODY 1	BRASS	1	GOLD	B-SMB0817-G
2	INSULATION 1	TEFLON	1	TEFLON	I-0381T
3	PIN	BRASS	1	GOLD	P-SMB0578-G
4	BODY 2	BRASS	1	GOLD	B-SMB0818-G
5	INSULATION 2	TEFLON	1	TEFLON	I-0394T



All Connectors
 www.allconnectors.de
 info@allconnectors.de
 Tel.: 0049 733 7025509
 98794 Eilsdorf - Germany
 Fax: 0049 733 7025501
 Kellernstr. 25

TITLE SMB ANGLE MALE FOR
PC MOUNT (75 OHM)

PART NO. SMB-07V6-TGG-75

DRAWING NO. SMB 07V6 TGG-75

DRAWN	MARY	DATE	93.10.27
CHECKED	蘇姿潔	DATE	
Q.A.	馮健華	DATE	
APPROVAL	徐燦霖	DATE	
REVISION		DATE	

DIMENSIONS ARE IN MILLIMETERS

UNLESS OTHERWISE SPECIFIED TOLERANCE	
0.5-5=±0.2	120-315=±1
5-30=±0.4	315-1000=±1.6
30-120±0.6	1000-2000=±2.4

SCALE 4:1 SIZE A

REVISION

DESCRIPTION	ENGINEER

D

C

B

A

D

C

B

A

4

3

2

1