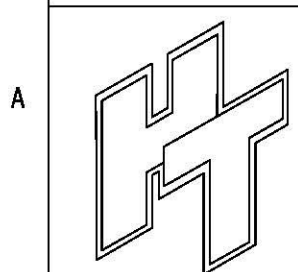
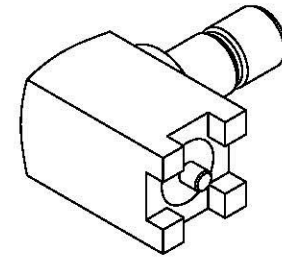
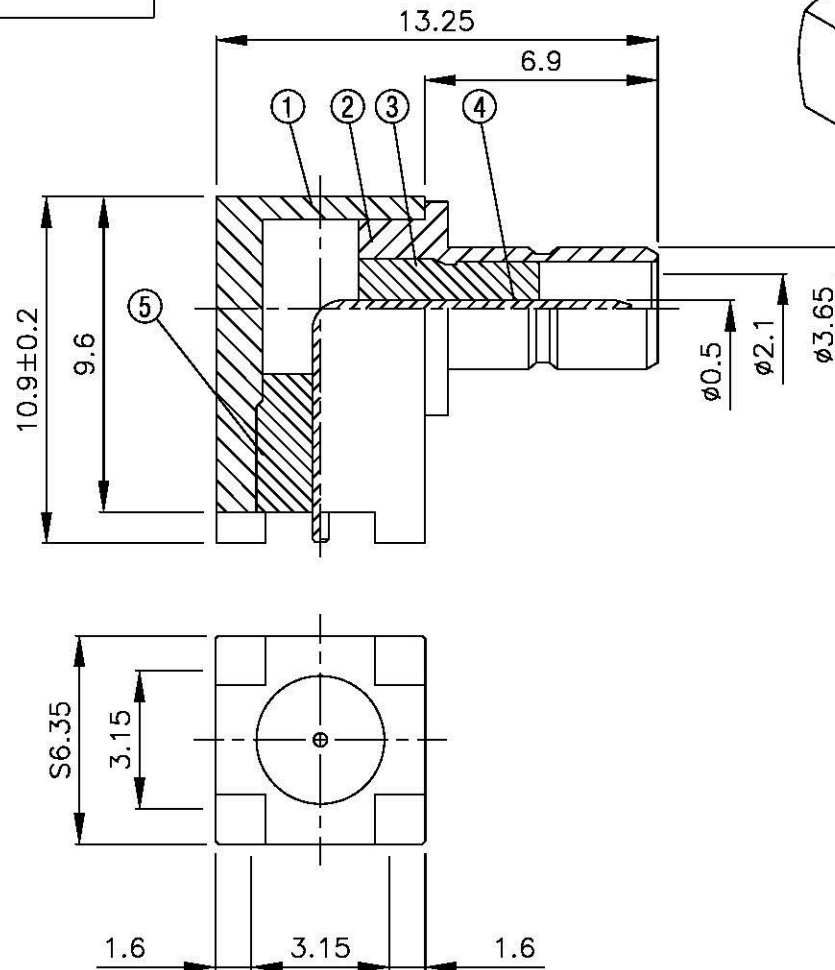


NO	DESCRIPTION	MATERIAL	Q'TY	FINISH	REMARK
1	BODY 1	BRASS	1	GOLD	B-SMA0495-G
2	BODY 2	BRASS	1	GOLD	B-SMB0266-G
3	INSULATION 1	TEFLON	1	TEFLON	I-0381T
4	PIN	PH.BRONZE	1	GOLD	P-SMB0636-G
5	INSULATION 2	TEFLON	1	TEFLON	I-0382T



All Connectors
 www.allconnectors.de info@allconnectors.de
 Tel.: 0049 711 7009505 Fax: 0049 711 7009504
 70794 Ploidersdorf - Germany kettenwegstr. 35

TITLE **SMB ANGLE MALE FOR PC MOUNT (75 ohm)**

PART NO. **SMB-07V4-TGG-75**

DRAWING NO. **SMB 07V4 TGG-75**

DRAWN **MARY** DATE **92.03.07**

CHECKED **蘇姿潔** DATE

Q.A. **馮健華** DATE

APPROVAL **徐燦霖** DATE

REVISION DATE

DIMENSIONS ARE IN MILLIMETERS

UNLESS OTHERWISE SPECIFIED TOLERANCE

0.5-5=±0.2 120-315=±1
 5-30= ±0.4 315-1000=±1.6
 30-120±0.6 1000-2000=±2.4

SCALE **4:1** SIZE **A**

REVISION	
DESCRIPTION	ENGINEER