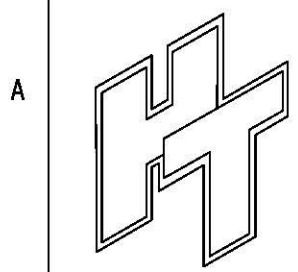
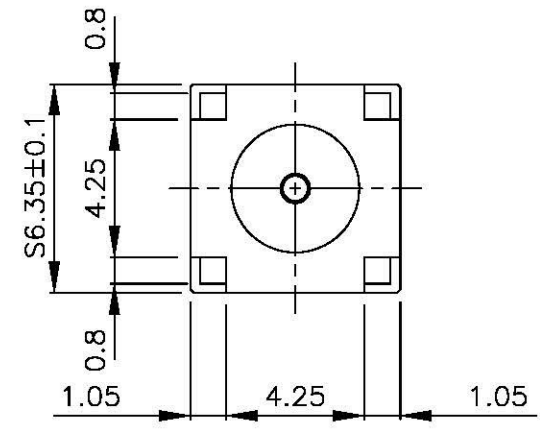
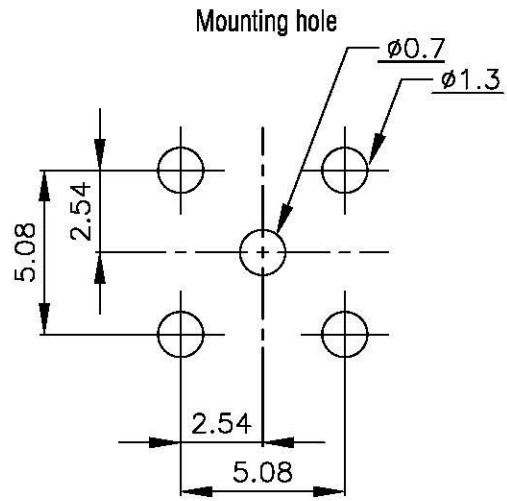
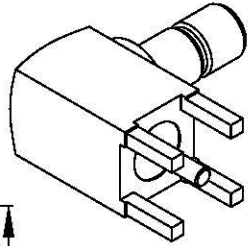
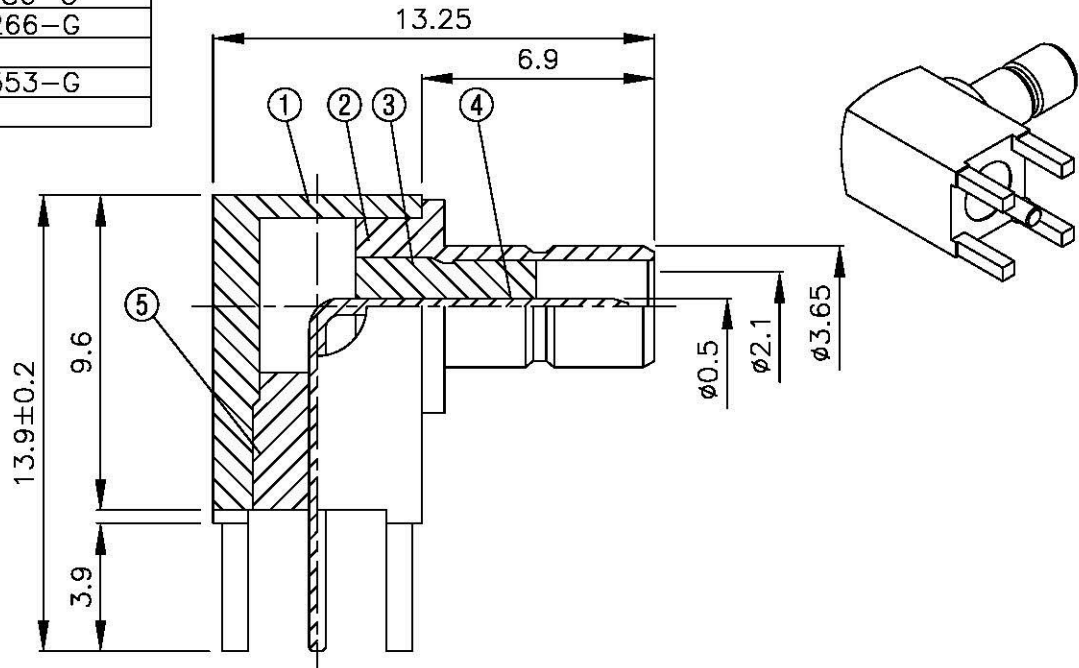


NO	DESCRIPTION	MATERIAL	Q'TY	FINISH	REMARK
1	BODY 1	BRASS	1	GOLD	B-SMA0086-G
2	BODY 2	BRASS	1	GOLD	B-SMB0266-G
3	INSULATION 1	TEFLON	1	TEFLON	I-0381T
4	PIN	BRASS	1	GOLD	P-SMB0553-G
5	INSULATION 2	TEFLON	1	TEFLON	I-0382T



**Allconnectors**  
 www.allconnectors.de  
 info@allconnectors.de  
 70734 Filderstadt, Germany

**TITLE** SMB ANGLE MALE FOR PC MOUNT-75 ohm  
**PART NO.** SMB-07-TGG-75  
**DRAWING NO.** SMB 07 TGG-75

**DRAWN** MARY  
**CHECKED** 蘇姿潔  
**Q.A.** 馮健華  
**APPROVAL** 徐燦霖  
**REVISION**

**DATE** 93.10.05  
**DATE**  
**DATE**  
**DATE**

**DIMENSIONS ARE IN MILLIMETERS**

**UNLESS OTHERWISE SPECIFIED TOLERANCE**

0.5-5=±0.2	120-315=±1
5-30=±0.4	315-1000=±1.6
30-120±0.6	1000-2000=±2.4

**SCALE** 4:1    **SIZE** A

REVISION	
DESCRIPTION	ENGINEER