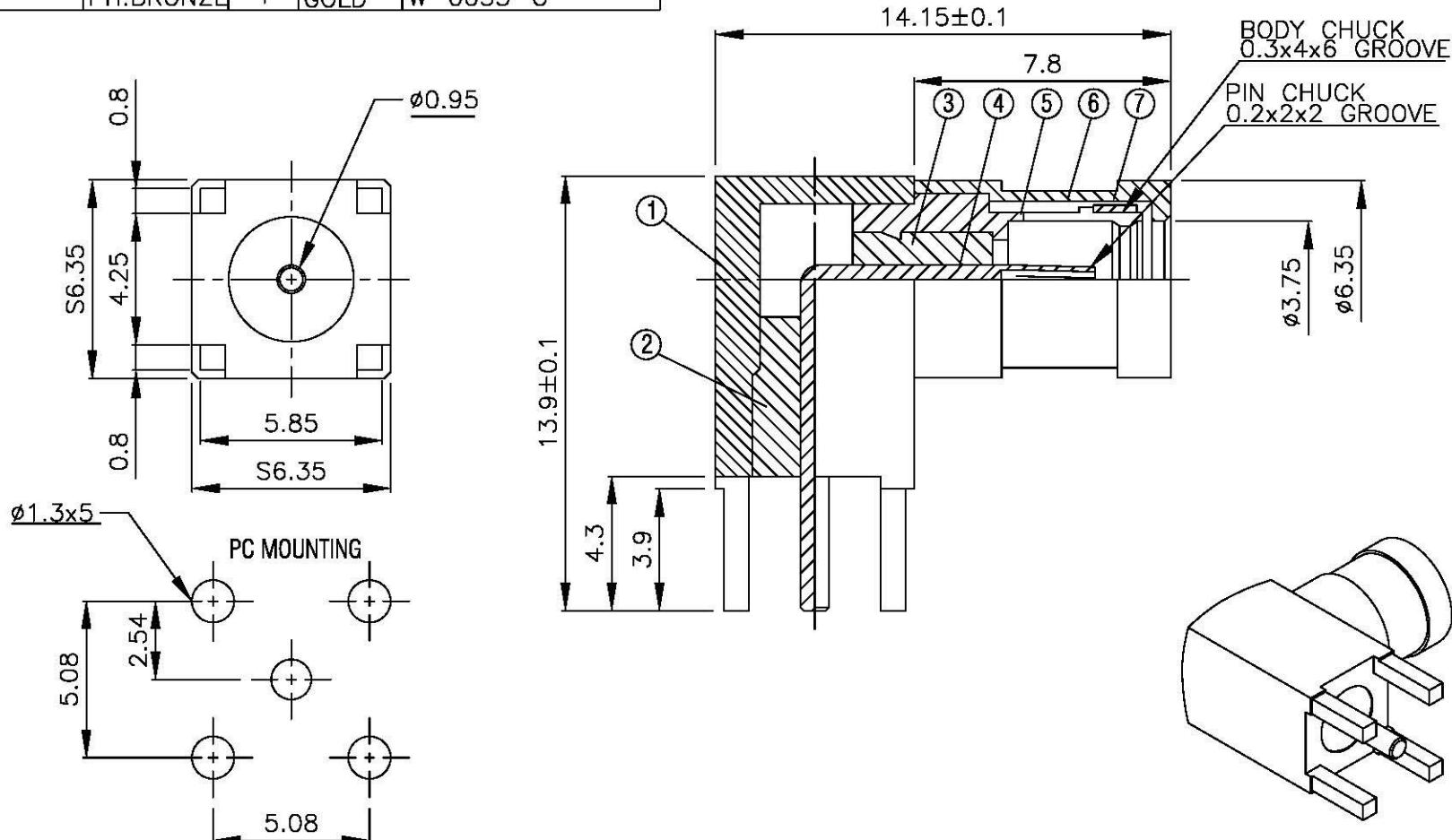
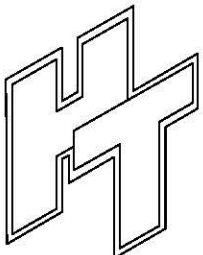


NO	DESCRIPTION	MATERIAL	Q'TY	FINISH	REMARK
1	BODY 1	BRASS	1	GOLD	B-SMA0086-G
2	INSULATION 1	TEFLON	1	TEFLON	I-0055T
3	INSULATION 2	TEFLON	1	TEFLON	I-0072T
4	PIN	BE CU	1	GOLD	P-SMB0147-G
5	BODY 2	BRASS	1	GOLD	B-SMB0479-G
6	BODY 3	BRASS	1	GOLD	B-SMB0245-G
7	WASHER	PH.BRONZE	1	GOLD	W-0035-G

Allconnectors
 www.allconnectors.de info@allconnectors.de
 Tel.: 0049 711 7009208 Fax: 0049 711 7009204
 70771 Ulm (Baden-Württemberg) Germany

TITLE SMB FEMALE ANGLE PC MOUNT
75 ohm

PART NO. SMB-06-TGG-75

DRAWING NO. SMB 06 TGG-75

DRAWN MARY	DATE 91.03.06
CHECKED 蘇姿潔	DATE
Q.A. 馮健華	DATE
APPROVAL 徐燦霖	DATE
REVISION	DATE

DIMENSIONS ARE IN MILLIMETERS			
UNLESS OTHERWISE SPECIFIED TOLERANCE			
0.5-5=±0.2	120-315=±1		
5-30=±0.4	315-1000=±1.6		
30-120±0.6	1000-2000=±2.4		
SCALE 4:1	SIZE A		

REVISION	
DESCRIPTION	ENGINEER