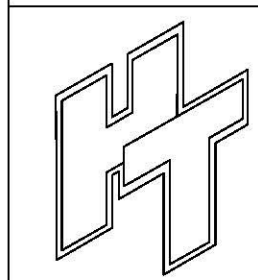
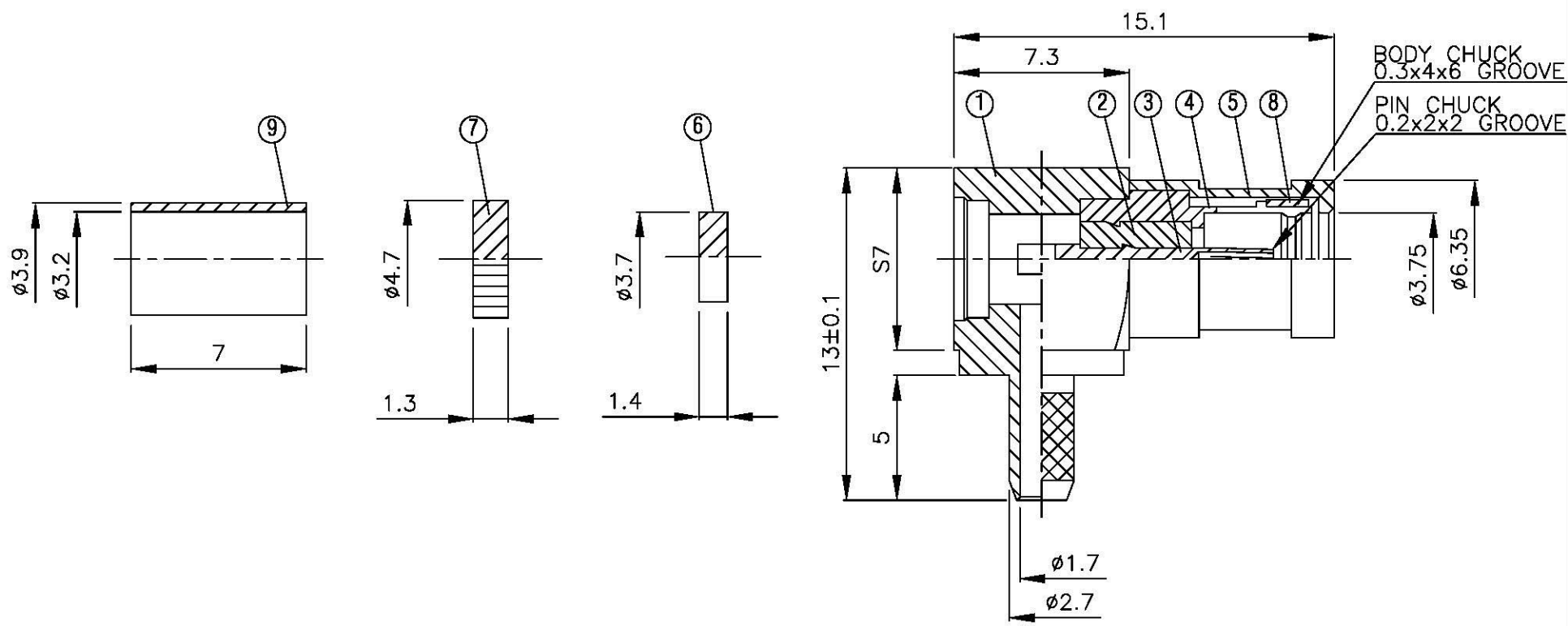
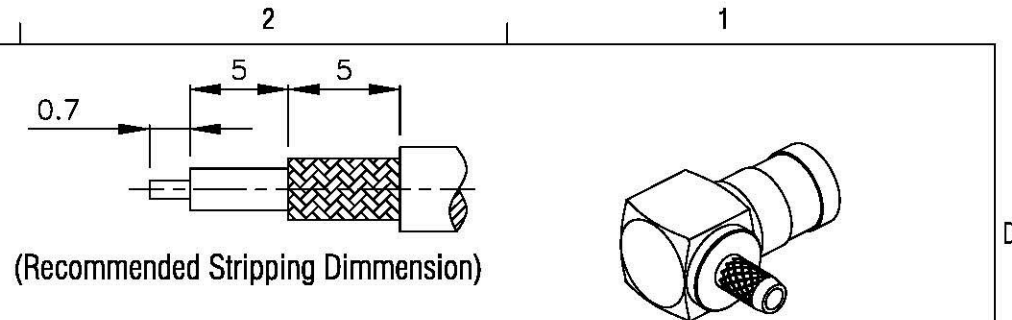


NO	DESCRIPTION	MATERIAL	Q'TY	FINISH	REMARK
1	BODY 1	BRASS	1	GOLD	B-SMA0155-G
2	INSULATION 1	TEFLON	1	TEFLON	I-0072T
3	PIN	BE CU	1	GOLD	P-SMB0145-G
4	BODY 2	BRASS	1	GOLD	B-SMB0479-G
5	BODY 3	BRASS	1	GOLD	B-SMB0245-G
6	INSULATION 2	TEFLON	1	TEFLON	I-0136T
7	WASHER 1	BRASS	1	GOLD	W-0023-G
8	WASHER 2	BRASS	1	NICKEL	W-0035-N
9	RING	BRASS	1	GOLD	R-0001-G



All Connectors
 www.allconnectors.de info@allconnectors.de
 Tel: 0049 731 700200 Fax: 0049 731 700504
 70294 Pfilzstätt, Germany

TITLE **SMB FEMALE ANGLE CRIMP FOR RG179U (75 ohm)**

PART NO. **SMB-03N-TGG**

DRAWING NO. **SMB 03N TGG**

DRAWN	MARY	DATE	96.06.29
CHECKED	蘇志欣	DATE	
Q.A.	蘇姿潔	DATE	
APPROVAL	徐燦霖	DATE	
REVISION		DATE	

DIMENSIONS ARE IN MILLIMETERS			
UNLESS OTHERWISE SPECIFIED TOLERANCE			
0.5-5=±0.2	120-315=±1		
5-30=±0.4	315-1000=±1.6		
30-120±0.6	1000-2000=±2.4		
SCALE	4:1	SIZE	A

REVISION	
DESCRIPTION	ENGINEER