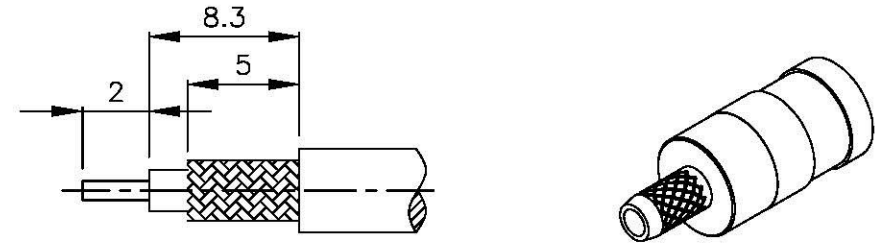
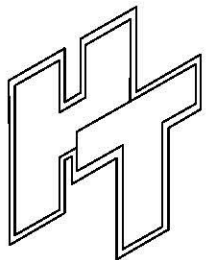
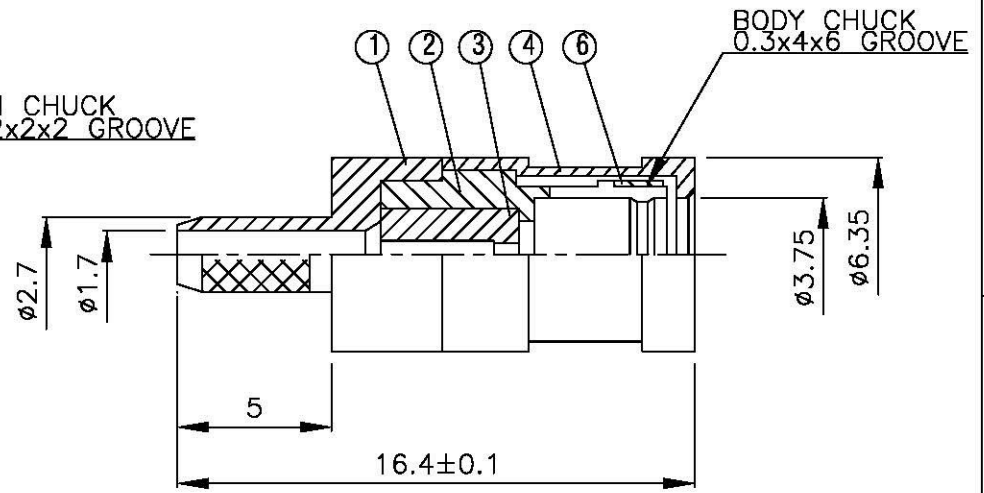
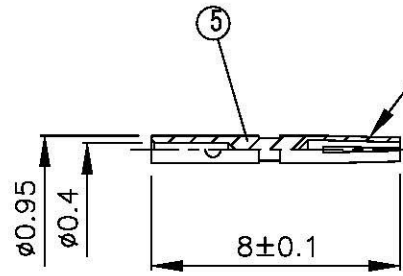
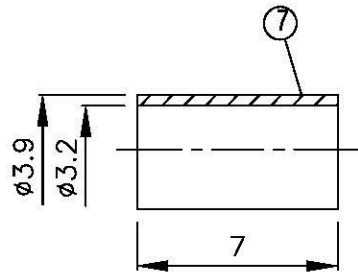


NO	DESCRIPTION	MATERIAL	Q'TY	FINISH	REMARK
1	BODY 1	BRASS	1	GOLD	B-SMB0246-G
2	BODY 2	BRASS	1	GOLD	B-SMB0263-G
3	INSULATION 1	TEFLON	1	TEFLON	I-0401T
4	BODY 3	BRASS	1	GOLD	B-SMB0245-G
5	PIN	BE CU	1	GOLD	P-SMB0148-G
6	WASHER	BE CU	1	GOLD	W-0035-G
7	RING	BRASS	1	GOLD	R-0001-G



(Recommended Stripping Dimension)



**All Connectors**

www.allconnectors.de  
 Tel.: 0049 711 7009008  
 20244 Finkenbüschel, Germany

info@allconnectors.de  
 Fax: 0049 711 7009001  
 Ref: 000011.25

TITLE SMB FEMALE CRIMP FOR RG179/U (75 OHM)

PART NO. SMB-02N-TGG

DRAWING NO. SMB 02N TGG

DRAWN MARY DATE 96.06.29

CHECKED 蘇志欣

Q.A. 蘇姿潔

APPROVAL 徐燦霖

REVISION

DATE

DATE

DATE

DATE

DIMENSIONS ARE IN MILLIMETERS

UNLESS OTHERWISE SPECIFIED TOLERANCE

0.5-5=±0.2 120-315=±1

5-30=±0.4 315-1000=±1.6

30-120±0.6 1000-2000=±2.4

SCALE 4:1 SIZE A

REVISION

DESCRIPTION ENGINEER