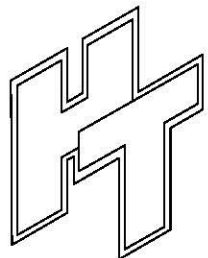
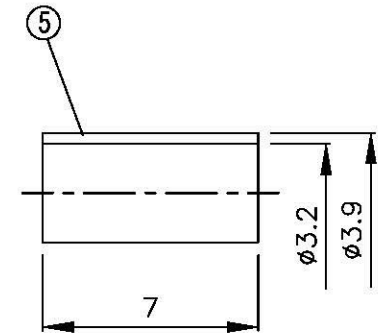
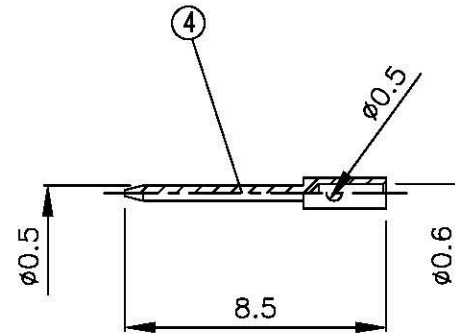
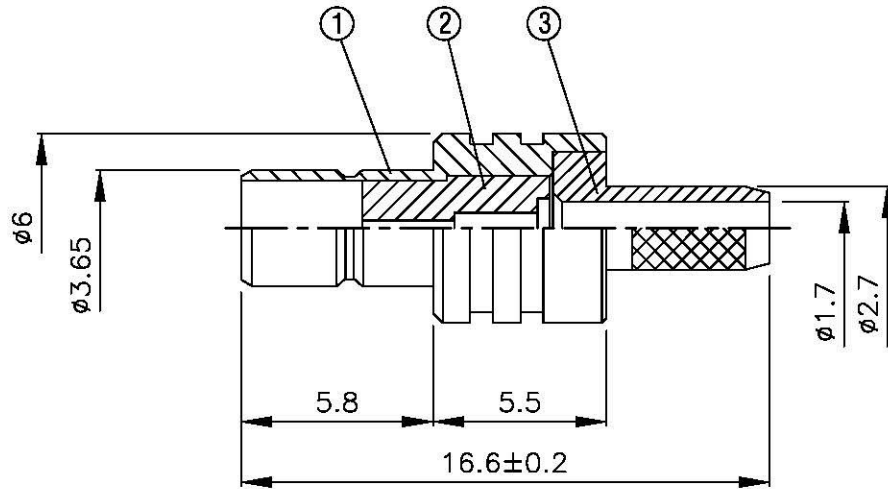
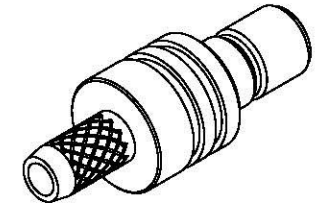


NO	DESCRIPTION	MATERIAL	Q'TY	FINISH
1	BODY 1	BRASS	1	GOLD
2	INSULATION	TEFLON	1	TEFLON
3	BODY 2	BRASS	1	GOLD
4	PIN	BRASS	1	GOLD
5	RING	BRASS	1	GOLD



Allconnectors

www.allconnectors.de
Tel.: 0049 711 7009500
70794 Illerstadt - Germany

info@allconnectors.de
Fax: 0049 711 7009504
Kettnerstr. 25

TITLE **SMB MALE CRIMP FOR
RG-179/U (75 OHM)**

PART NO. **SMB-01N-TGG**

DRAWING NO. **SMB 01N TGG**

DRAWN **MARY** DATE **96.06.29**

CHECKED **蘇志欣** DATE

Q.A. **蘇姿潔** DATE

APPROVAL **徐燦霖** DATE

REVISION DATE

DIMENSIONS ARE IN MILLIMETERS

UNLESS OTHERWISE SPECIFIED
TOLERANCE
0.5-5=±0.2 120-315=±1
5-30= ±0.4 315-1000=±1.6
30-120±0.6 1000-2000=±2.4

SCALE **4:1** SIZE **A**

REVISION

DESCRIPTION	ENGINEER

D

C

B

A

D

C

B

A

4

3

2

1