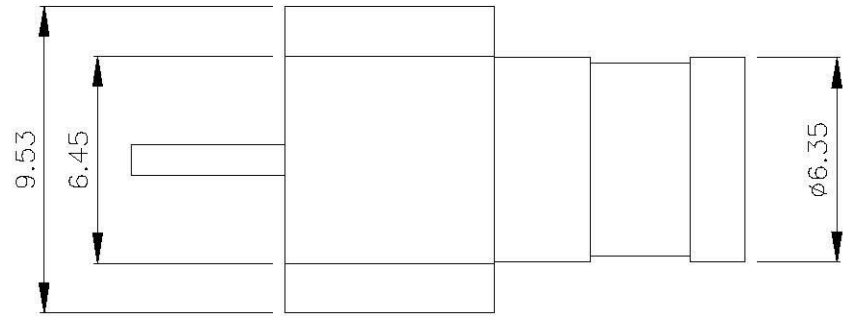
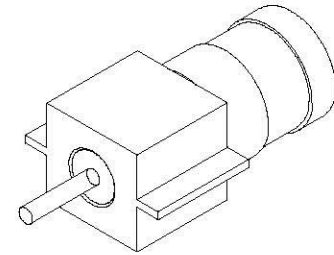
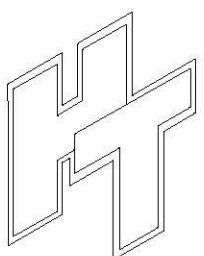
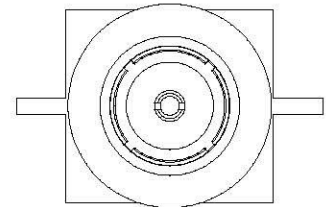
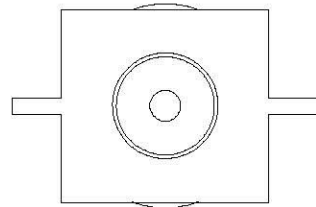
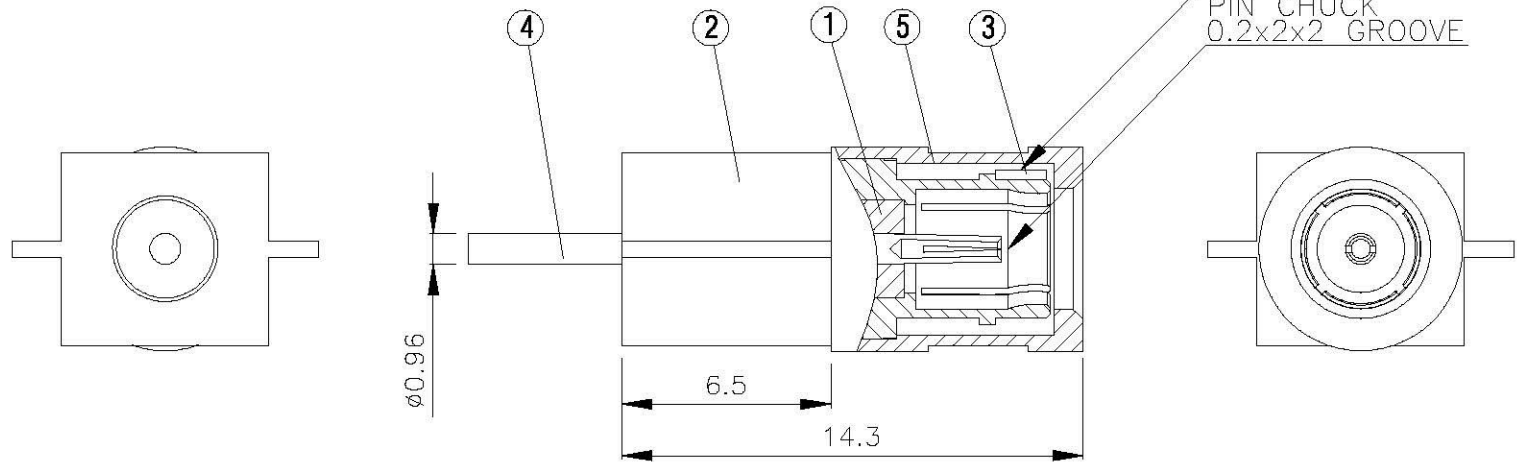


NO	DESCRIPTION	MATERIAL	Q'TY	FINISH	REMARK
1	INSULATION	TEFLON	1	TEFLON	
2	BODY 1	BRASS	1	GOLD	
3	WASHER	BE CU	1	GOLD	
4	PIN	BE CU	1	GOLD	
5	BODY 2	BRASS	1	GOLD	



BODY CHUCK
0.3x4x6 GROOVE

PIN CHUCK
0.2x2x2 GROOVE



Allconnectors
 www.allconnectors.com
 Tel: 0049 711 400500
 72748 Hildersriedt - Germany

Info@allconnectors.com
 Fax: 0049 711 400501
 Kettnerstr. 22

TITLE
SMB FEMALE EDGE MOUNT RECEPTACLE

PART NO. **SMB-39-TGG**

DRAWING NO. **SMB 39 TGG**

DRAWN **蘇姿潔** DATE **99.05.19**

CHECKED **蘇志欣** DATE

Q.A. **莊千慧** DATE

APPROVAL **徐燦霖** DATE

REVISION DATE

DIMENSIONS ARE IN MILLMETER

UNLESS OTHERWISE SPECIFIED TOLERANCE

0.5-5=±0.2 120-315=±1

5-30=±0.4 315-1000=±1.6

30-120=±0.6 1000-2000=±2.4

SCALE **4:1** SIZE **A**

REVISION	
DESCRIPTION	ENGINEER