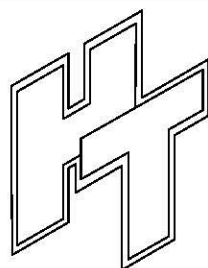
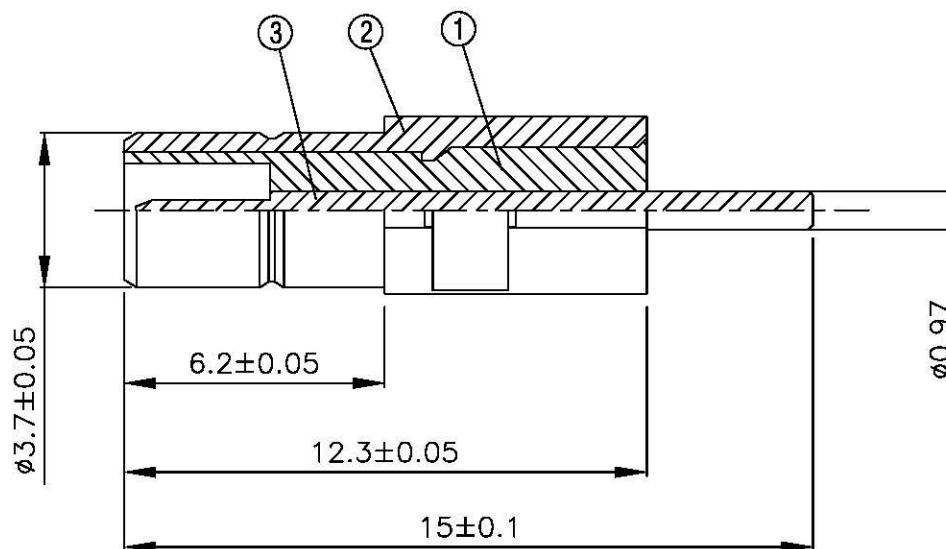
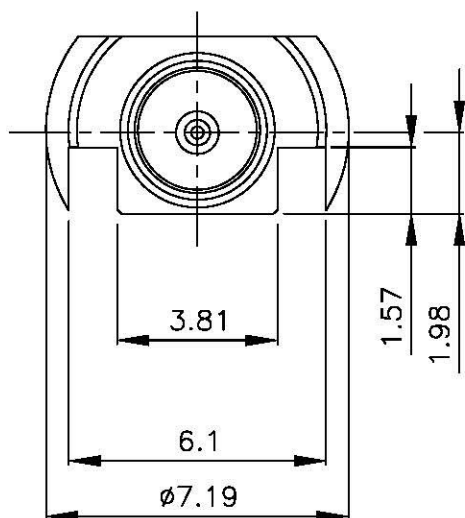
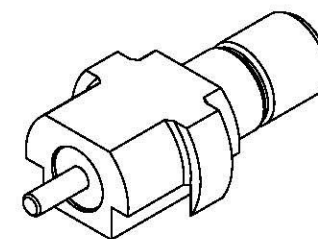
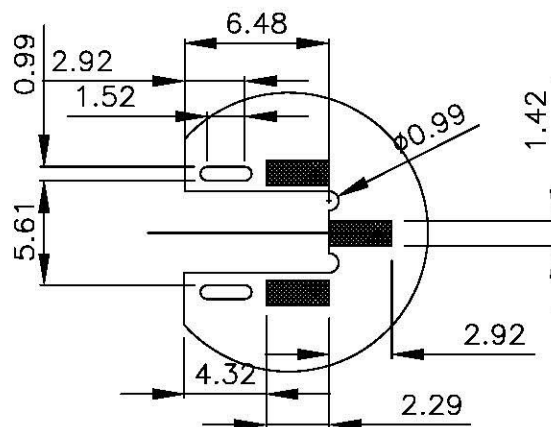


NO	DESCRIPTION	MATERIAL	Q'TY	FINISH	REMARK
1	INSULATION	TEFLON	1	TEFLON	I-0525T
2	BODY	BRASS	1	GOLD	B-SMB1143-G
3	PIN	PH.BRONZE	1	GOLD	P-SMB0800-G



All Connectors

www.allconnectors.de
 TEL: +49 44 711 398313
 RONSE-HAUDEGAST - Germany
 info@allconnectors.de
 FAK: 0245 711 398314
 RONSE-HAUDEGAST - DE

TITLE **SMB MALE EDGE MOUNT**

PART NO. **SMB-35-TGG**

DRAWING NO. **SMB-35-TGG**

DRAWN **MARY** DATE **95.06.27**

CHECKED **黄巧君** DATE **95.06.27**

Q.A. **沈佳德** DATE

APPROVAL **徐燦霖** DATE

REVISION DATE

DIMENSIONS ARE IN MILLIMETERS

UNLESS OTHERWISE SPECIFIED TOLERANCE

0.5-5=±0.2	120-315=±1
5-30=±0.4	315-1000=±1.6
30-120±0.6	1000-2000=±2.4

SCALE **4:1** SIZE **A**

REVISION

DESCRIPTION	ENGINEER