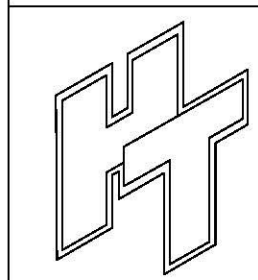
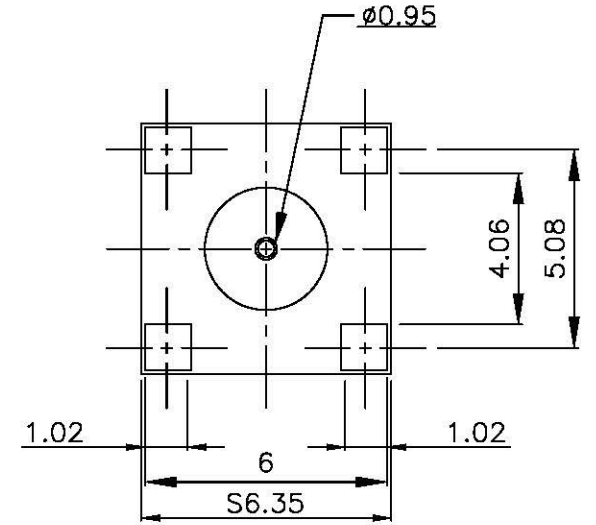
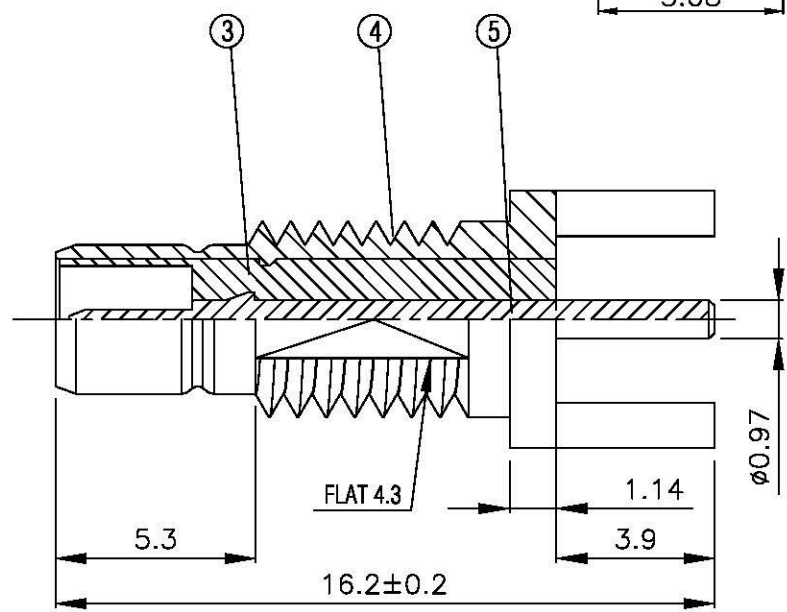
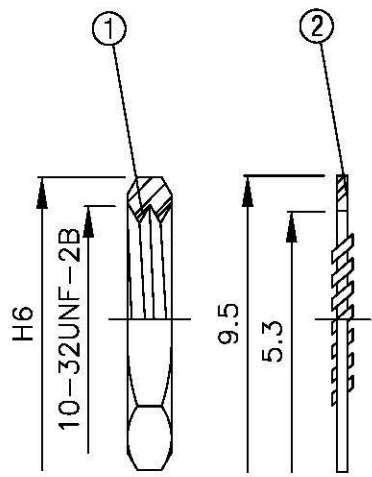
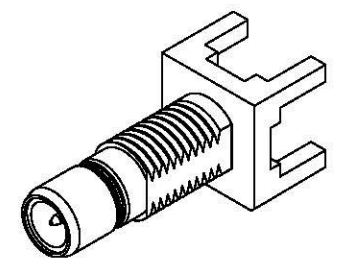
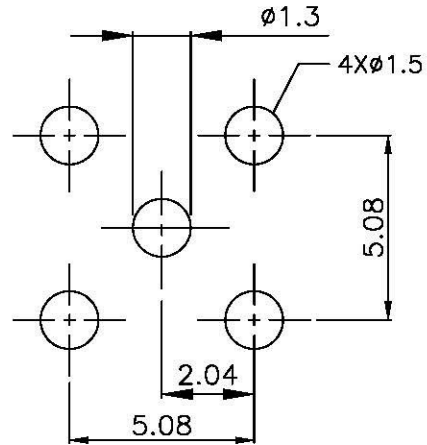


NO	DESCRIPTION	MATERIAL	Q'TY	FINISH	REMARK
1	NUT	BRASS	1	GOLD	N-0005-G
2	WASHER	BRASS	1	GOLD	W-0009-G
3	INSULATION	TEFLON	1	TEFLON	I-0525T
4	BODY	BRASS	1	GOLD	B-SMB1090-G
5	PIN	PH.BRONZE	1	GOLD	P-SMB0760-G



**All Connectors**  
 www.allconnectors.de  
 info@allconnectors.de  
 info@allconnectors.de  
 info@allconnectors.de

TITLE **SMB MALE PCB MOUNT**

PART NO. **SMB-33-TGG**

DRAWING NO. **SMB-33-TGG**

DRAWN **MARY** DATE **95.06.27**

CHECKED **黃巧君** DATE **95.06.27**

Q.A. **沈佳憐** DATE

APPROVAL **徐燦霖** DATE

REVISION DATE

DIMENSIONS ARE IN MILLIMETERS

UNLESS OTHERWISE SPECIFIED TOLERANCE

0.5-5=±0.2 120-315=±1

5-30=±0.4 315-1000=±1.6

30-120±0.6 1000-2000=±2.4

SCALE 4:1 SIZE A

REVISION	
DESCRIPTION	ENGINEER