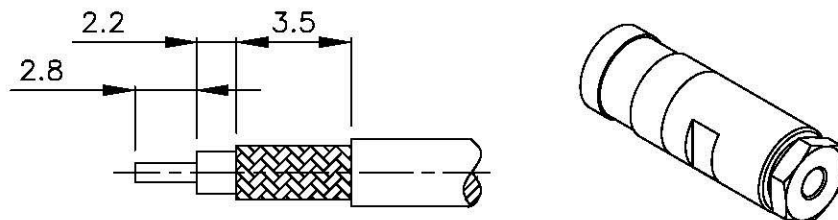
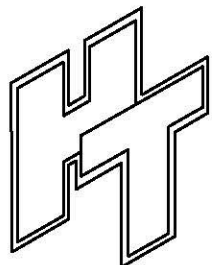
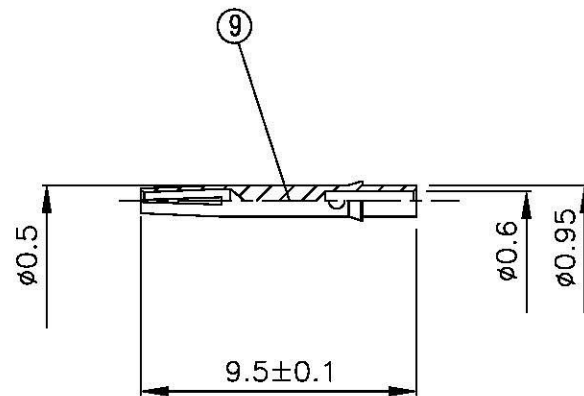
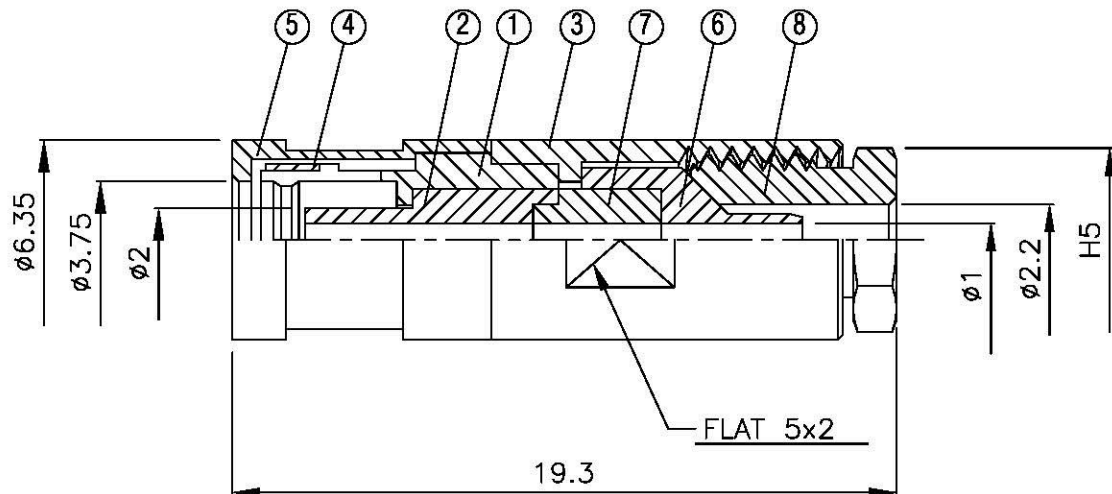


NO	DESCRIPTION	MATERIAL	Q'TY	FINISH	REMARK
1	BODY 1	BRASS	1	GOLD	B-SMB0263-G
2	INSULATION 1	TEFLON	1	TEFLON	I-0053T
3	BODY 2	BRASS	1	GOLD	B-SMB0799-G
4	WASHER	BE CU	1	GOLD	W-0035-G
5	BODY 3	BRASS	1	GOLD	B-SMB0245-G
6	BODY 4	BRASS	1	GOLD	B-SMB0798-G
7	INSULATION 2	TEFLON	1	TEFLON	I-0388T
8	NUT	BRASS	1	GOLD	N-0038-G
9	PIN	BE CU	1	GOLD	P-SMB0570-G



(Recommended Stripping Dimension)



**All Connectors**

www.allconnectors.de info@allconnectors.de  
70794 Filzschlamm, Germany Kellertweg 11, 25

TITLE SMB FEMALE CLAMP FOR RG-178/U

PART NO. SMB-30M-TGG

DRAWING NO. SMB 30M TGG

DRAWN MARY DATE 93.10.13

CHECKED 蘇姿潔 DATE

Q.A. 馮健華 DATE

APPROVAL 徐燦霖 DATE

REVISION DATE

DIMENSIONS ARE IN MILLIMETERS

UNLESS OTHERWISE SPECIFIED TOLERANCE  
0.5-5=±0.2 120-315=±1  
5-30=±0.4 315-1000=±1.6  
30-120±0.6 1000-2000=±2.4

SCALE 4:1 SIZE A

REVISION

DESCRIPTION ENGINEER