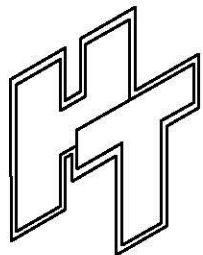
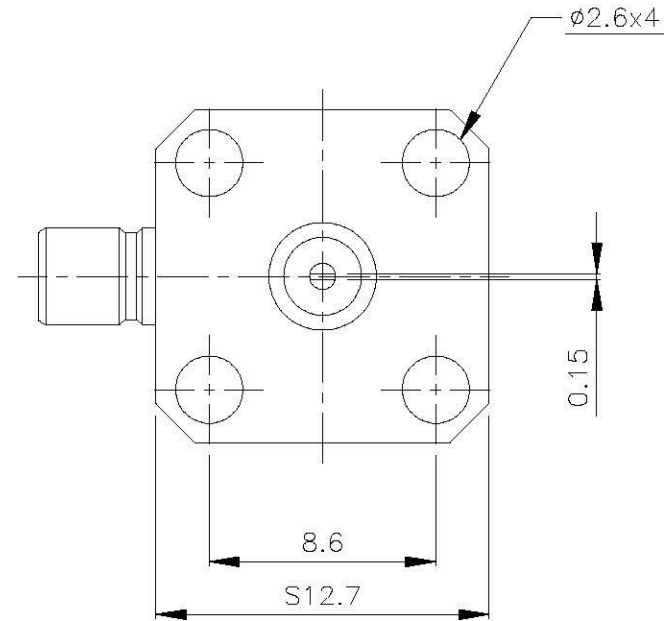
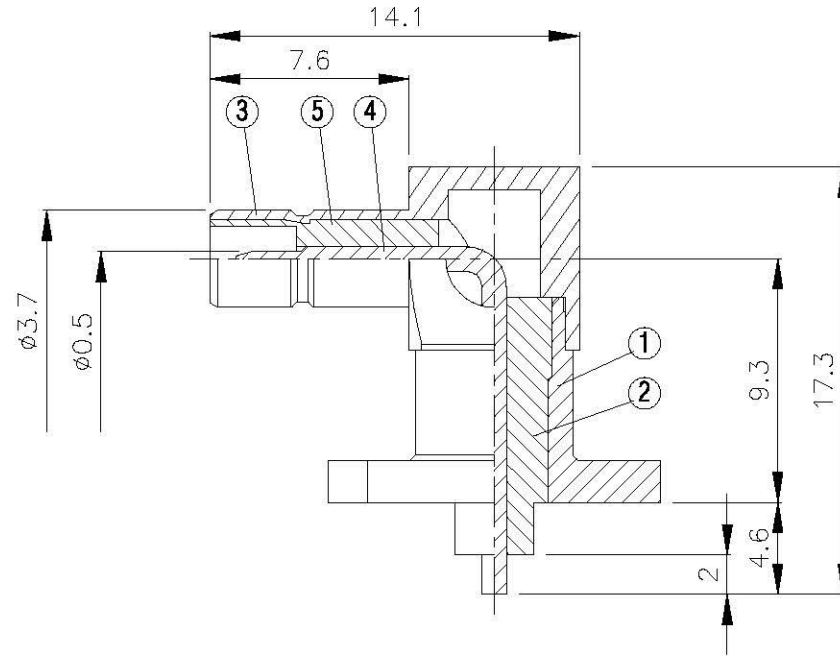
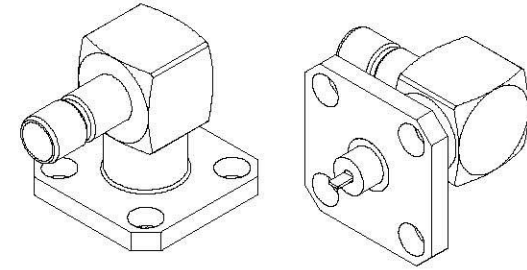


NO	DESCRIPTION	MATERIAL	Q'TY	FINISH	REMARK
1	BODY 1	BRASS	1	GOLD	B-SMA0399-G
2	INSULATION	TEFLON	1	TEFLON	I-0351T
3	BODY 2	BRASS	1	GOLD	B-SMB0724-G
4	PIN	BE CU	1	GOLD	P-SMB0513-G
5	INSULATION	TEFLON	1	TEFLON	I-0352T



**All Connectors**

www.allconnectors.com  
 Tel.: +49 438 713 40400  
 79704 Filderstadt - Germany

Info@allconnectors.com  
 Fax: +49 438 713 40400  
 Kellenbergstr. 25

**TITLE SMB RIGHT ANGLE MALE 4 HOLES FLANGE MOUNT**

**PART NO. SMB-27V4-TGG**

**DRAWING NO. SMB 27V4 TGG**

**DRAWN MARY DATE 93.05.27**

**CHECKED 蘇姿潔 DATE**

**Q.A. 馮健華 DATE**

**APPROVAL 徐煥霖 DATE**

**REVISION DATE**

**DIMENSIONS ARE IN MILLIMETERS**

**UNLESS OTHERWISE SPECIFIED TOLERANCE**

0.5-5=±0.2    120-315=±1  
 5-30=±0.4    315-1000=±1.6  
 30-120=±0.6    1000-2000=±2.4

**SCALE 4:1 SIZE A**

**REVISION**

**DESCRIPTION ENGINEER**

4

3

2

1