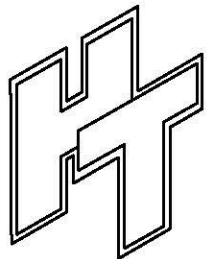
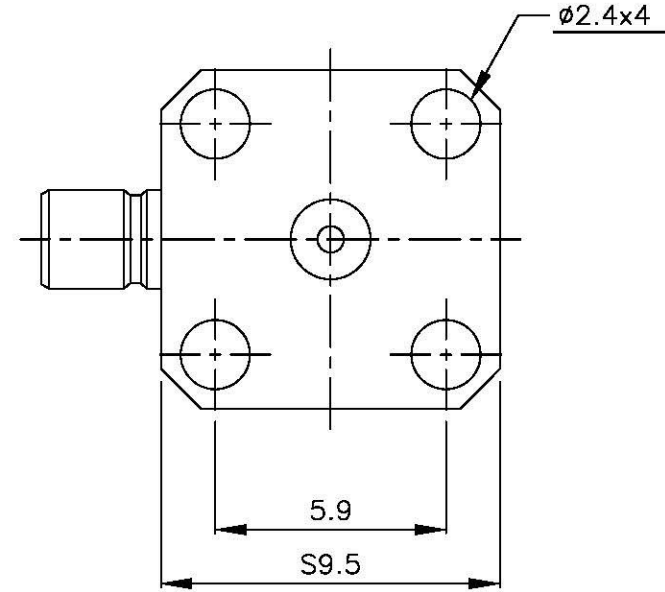
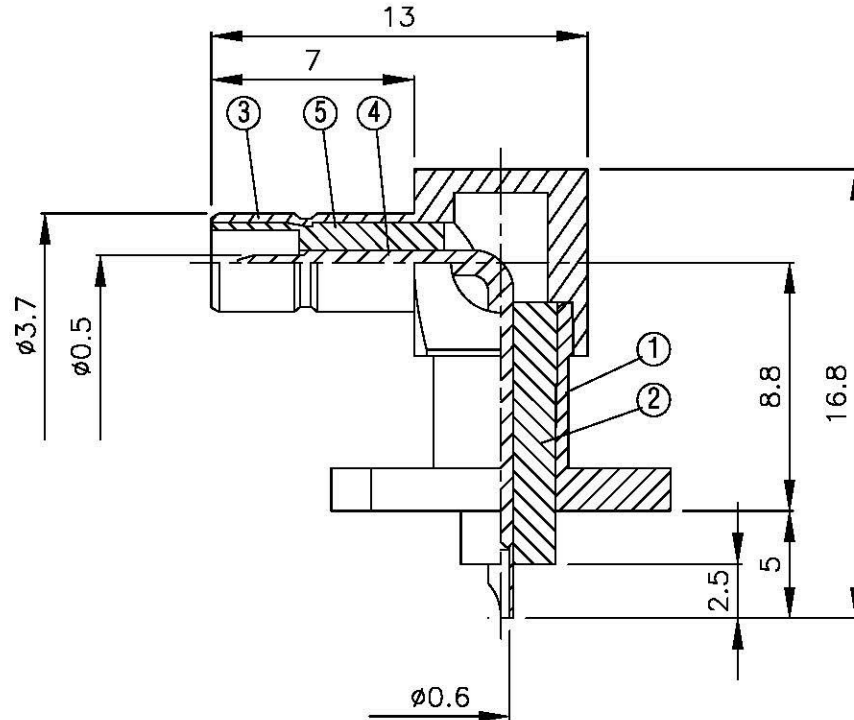
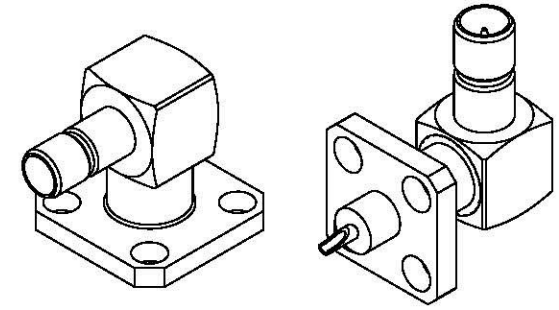


NO	DESCRIPTION	MATERIAL	Q'TY	FINISH	REMARK
1	BODY 1	BRASS	1	GOLD	B-SMB0725-G
2	INSULATION	TEFLON	1	TEFLON	I-0351T
3	BODY 2	BRASS	1	GOLD	B-SMB0724-G
4	PIN	BE CU	1	GOLD	P-SMB0513-G
5	INSULATION	TEFLON	1	TEFLON	I-0352T



All Connectors

www.allconnectors.de
Tel: +0049 711 7000500
70724 Filderstadt - Germany

info@allconnectors.de
Fax: +0049 711 7000501
Kellereisstr. 25

TITLE **SMB RIGHT ANGLE MALE 4 HOLES FLANGE MOUNT**

PART NO. **SMB-27-TGG**

DRAWING NO. **SMB 27 TGG**

DRAWN **MARY** DATE **93.05.27**

CHECKED **蘇姿潔** DATE

Q.A. **馮健華** DATE

APPROVAL **徐燦霖** DATE

REVISION DATE

DIMENSIONS ARE IN MILLIMETERS

UNLESS OTHERWISE SPECIFIED TOLERANCE

0.5-5=±0.2 120-315=±1

5-30=±0.4 315-1000=±1.6

30-120=±0.6 1000-2000=±2.4

SCALE 4:1 SIZE A

REVISION

DESCRIPTION	ENGINEER

4

3

2

1