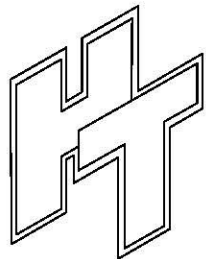
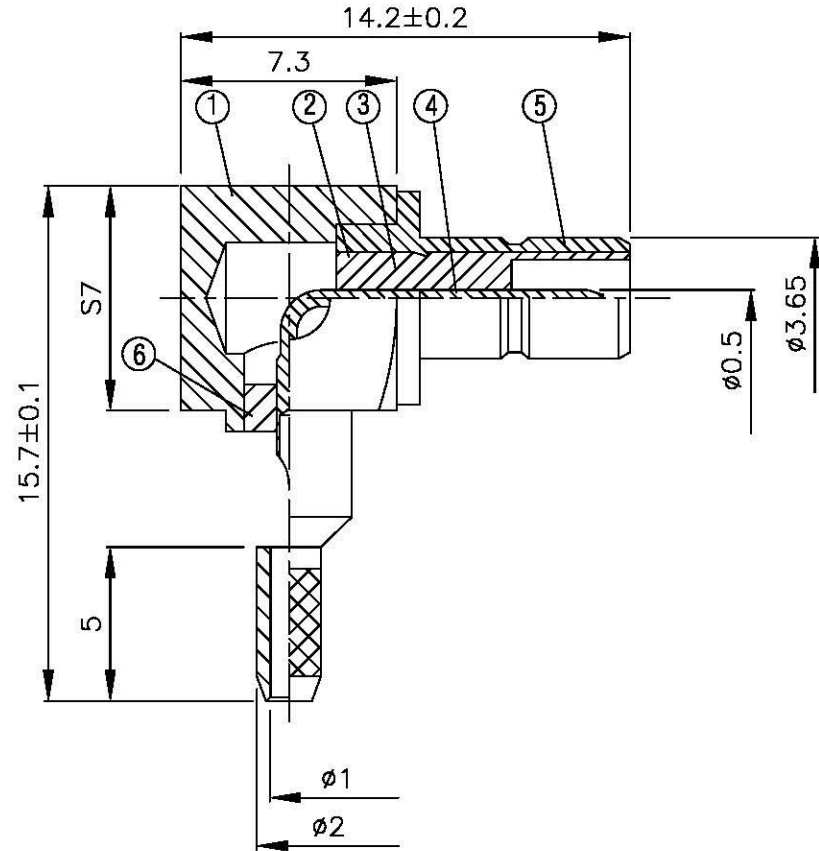
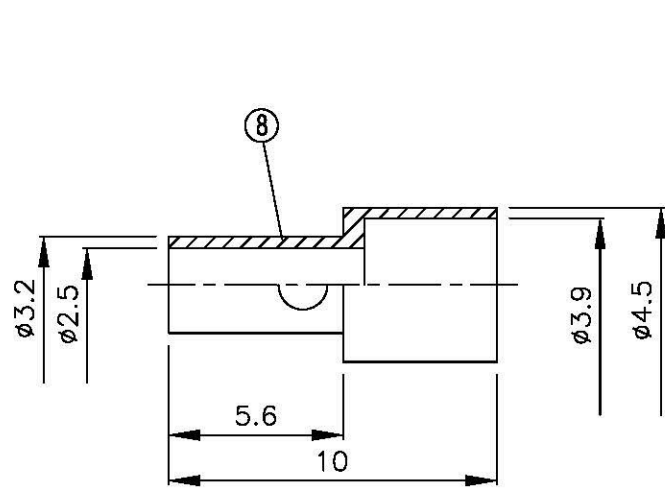
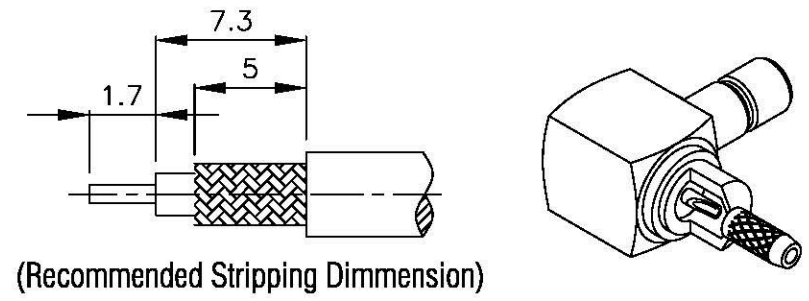


NO	DESCRIPTION	MATERIAL	Q'TY	FINISH
1	BODY 1	BRASS	1	GOLD
2	WASHER 1	BRASS	1	GOLD
3	INSULATION 1	TEFLON	1	TEFLON
4	PIN	BE CU	1	GOLD
5	BODY 2	BRASS	1	GOLD
6	BODY 3	BRASS	1	GOLD
7	WASHER 2	BE CU	1	NICKEL
8	INSULATION 2	TEFLON	1	TEFLON
9	RING	BRASS	1	GOLD



Allconnectors

www.allconnectors.de info@allconnectors.de
 Tel: 0049 711 2000501 Fax: 0049 711 2000504
 20724 Ellerbach - Germany Katernacker, 25

TITLE SMB MALE ANGLE CRIMP FOR RG178/U

PART NO. SMB-24M-TGG

DRAWING NO. SMB 24M TGG

DRAWN	MARY	DATE	96.03.12
CHECKED	黄巧君	DATE	
Q.A.	蘇姿潔	DATE	
APPROVAL	徐燦霖	DATE	
REVISION		DATE	

DIMENSIONS ARE IN MILLIMETERS			
UNLESS OTHERWISE SPECIFIED TOLERANCE			
0.5-5=±0.2	120-315=±1		
5-30=±0.4	315-1000=±1.6		
30-120±0.6	1000-2000=±2.4		
SCALE	4:1	SIZE	A

REVISION	
DESCRIPTION	ENGINEER

4

3

2

1