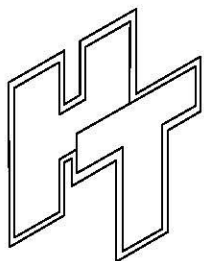
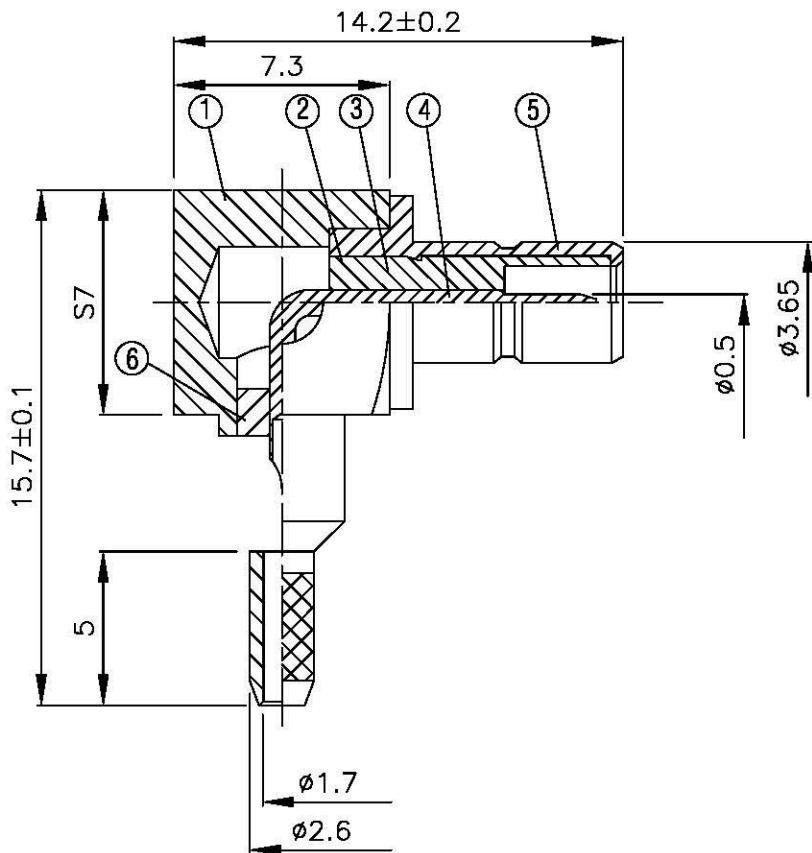
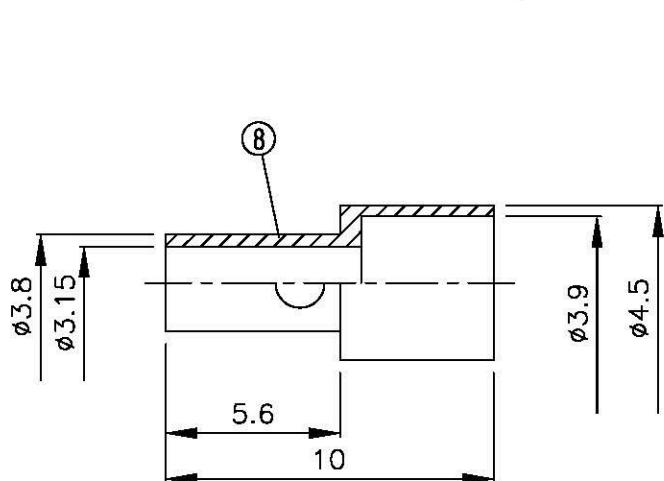
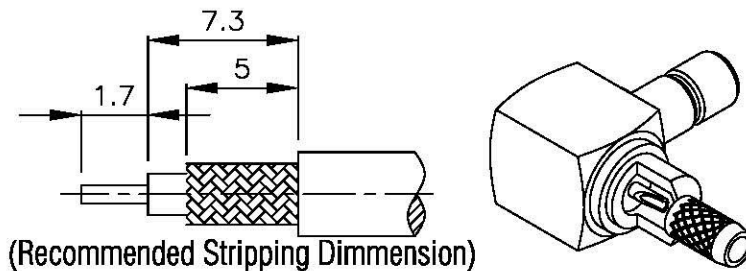


NO	DESCRIPTION	MATERIAL	Q'TY	FINISH
1	BODY 1	BRASS	1	GOLD
2	WASHER 1	BRASS	1	GOLD
3	INSULATION 1	TEFLON	1	TEFLON
4	PIN	BE CU	1	GOLD
5	BODY 2	BRASS	1	GOLD
6	BODY 3	BRASS	1	GOLD
7	WASHER 2	BE CU	1	NICKEL
8	INSULATION 2	TEFLON	1	TEFLON
9	RING	BRASS	1	GOLD



**All Connectors**

www.allconnectors.de info@allconnectors.de  
 Tel: 0912 712 700500 Fax: 0912 712 700501  
 90754 Eibersbach - Germany E-Mail: connect@ac.de

TITLE SMB MALE ANGLE CRIMP FOR RG-316/U

PART NO. SMB-24LV1-TGG

DRAWING NO. SMB 24LV1 TGG

DRAWN	MARY	DATE	96.03.12
CHECKED	黄巧君	DATE	
Q.A.	蘇姿潔	DATE	
APPROVAL	徐燦霖	DATE	
REVISION		DATE	

DIMENSIONS ARE IN MILLIMETERS			
UNLESS OTHERWISE SPECIFIED TOLERANCE			
0.5-5=±0.2	120-315=±1		
5-30=±0.4	315-1000=±1.6		
30-120±0.6	1000-2000=±2.4		
SCALE	4:1	SIZE	A

REVISION	
DESCRIPTION	ENGINEER