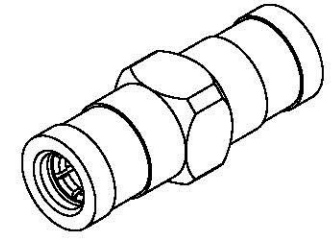
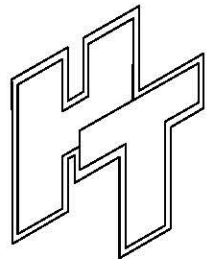
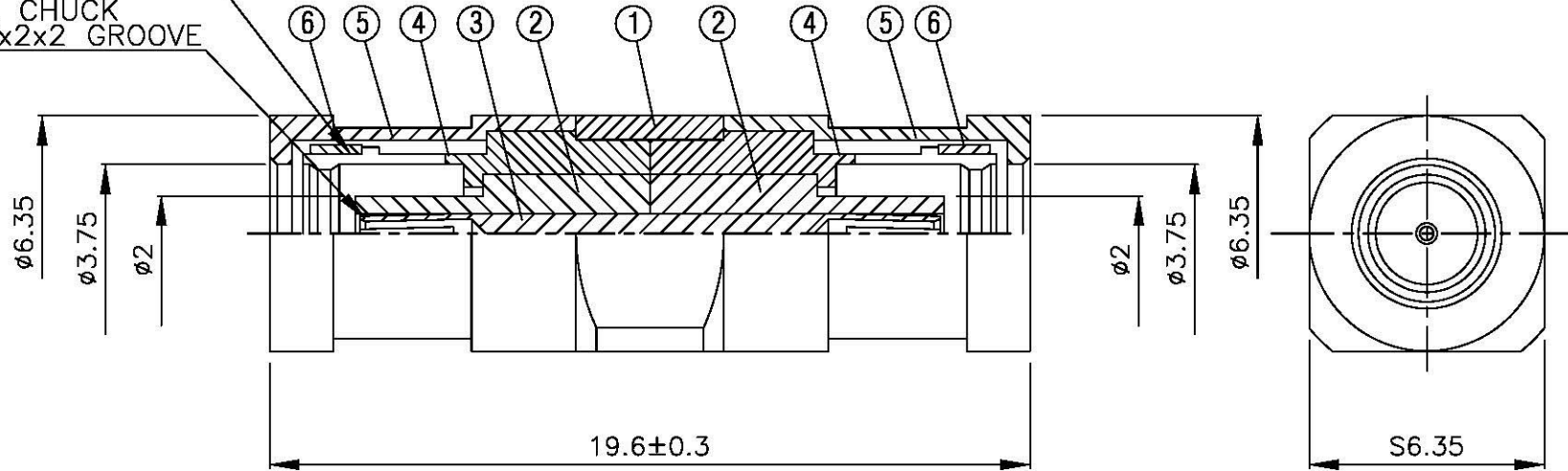


NO	DESCRIPTION	MATERIAL	Q'TY	FINISH	REMARK
1	BODY 1	BRASS	1	GOLD	N-0055
2	INSULATION	TEFLON	2	TEFLON	I-0054T
3	PIN	BE CU	1	GOLD	P-SMB0772-G
4	BODY 2	BRASS	2	GOLD	B-SMB0263-G
5	BODY 3	BRASS	2	GOLD	B-SMB0245-G
6	WASHER	BE CU	2	GOLD	W-0035-N



BODY CHUCK  
0.3x4x6 GROOVE

PIN CHUCK  
0.2x2x2 GROOVE



**All Connectors**

www.allconnectors.com info@allconnectors.com  
 Tel: 0049 711 7005523 Fax: 0049 711 7004504  
 70754 Plocherst. - Germany Kettelerstr. 25

TITLE SMB FEMALE - SMB FEMALE ADAPTOR

PART NO. SMB-23-TGG

DRAWING NO. SMB 23 TGG

DRAWN	MARY	DATE	95.08.22
CHECKED	黄巧君	DATE	
Q.A.	蘇姿潔	DATE	
APPROVAL	徐燦霖	DATE	
REVISION		DATE	

DIMENSIONS ARE IN MILLIMETER			
UNLESS OTHERWISE SPECIFIED TOLERANCE			
0.5-5=±0.2	120-315=±1		
5-30=±0.4	315-1000=±1.6		
30-120=±0.6	1000-2000=±2.4		
SCALE	4:1	SIZE	A

REVISION	
DESCRIPTION	ENGINEER

4

3

2

1