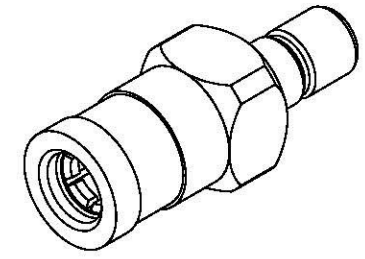
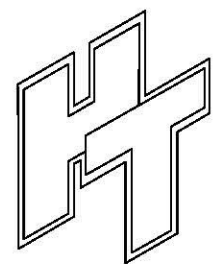
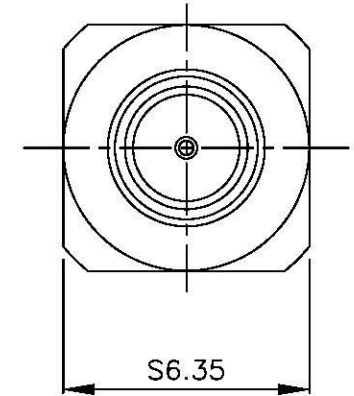
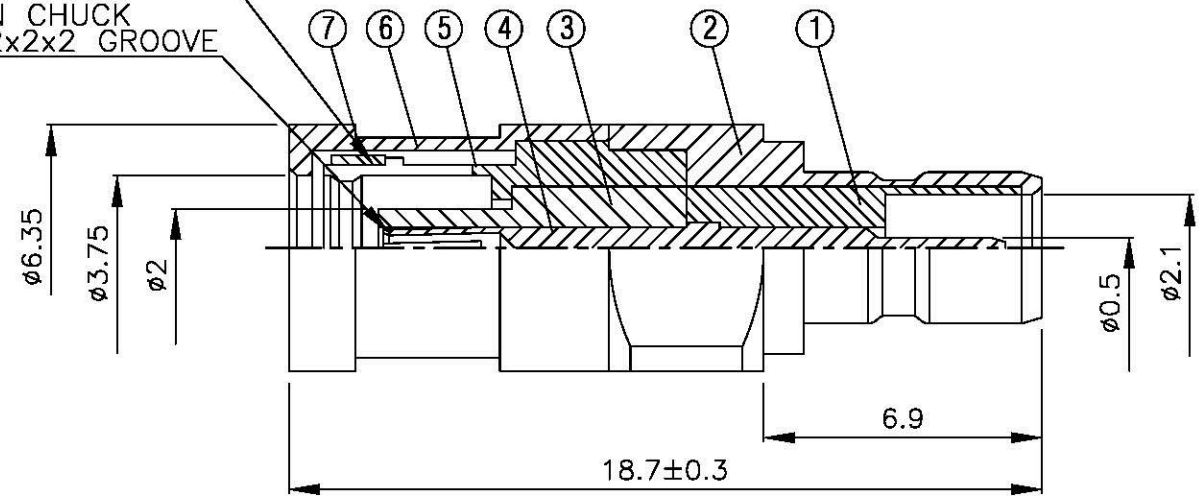


NO	DESCRIPTION	MATERIAL	Q'TY	FINISH	REMARK
1	INSULATION	TEFLON	1	TEFLON	I-0263T
2	BODY 1	BRASS	1	GOLD	B-SMB0549-G
3	INSULATION	TEFLON	1	TEFLON	I-0053T
4	PIN	BE CU	1	GOLD	P-SMB0356-G
5	BODY 3	BRASS	1	GOLD	B-SMB0263-G
6	BODY 4	BRASS	1 </td <td>GOLD</td> <td>B-SMB0245-G</td>	GOLD	B-SMB0245-G
7	WASHER	BE CU	1	GOLD	W-0035-G



BODY CHUCK
0.3x4x6 GROOVE

PIN CHUCK
0.2x2x2 GROOVE



All Connectors
 www.allconnectors.de info@allconnectors.de
 TEL: 0049 711 7096000 Fax: 0049 711 7096004
 70734 Filsdorf, Germany Rottmehrdamm 25

TITLE: SMB FEMALE - SMB MALE ADAPTOR

PART NO.: SMB-22-TGG

DRAWING NO.: SMB 22 TGG

DRAWN: MARY DATE: 96.01.02

CHECKED: 黄巧君 DATE:

Q.A.: 蘇姿潔 DATE:

APPROVAL: 徐燦霖 DATE:

REVISION: DATE:

DIMENSIONS ARE IN MILLMETER

UNLESS OTHERWISE SPECIFIED TOLERANCE

0.5-5=±0.2 120-315=±1

5-30=±0.4 315-1000=±1.6

30-120=±0.6 1000-2000=±2.4

SCALE: 4:1 SIZE: A

REVISION	
DESCRIPTION	ENGINEER