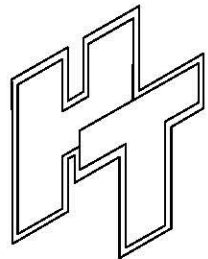
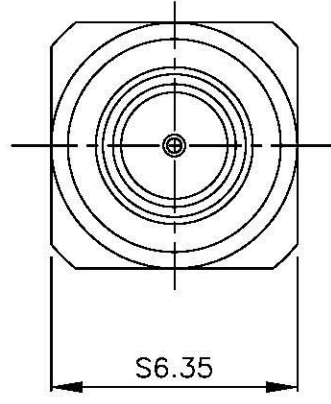
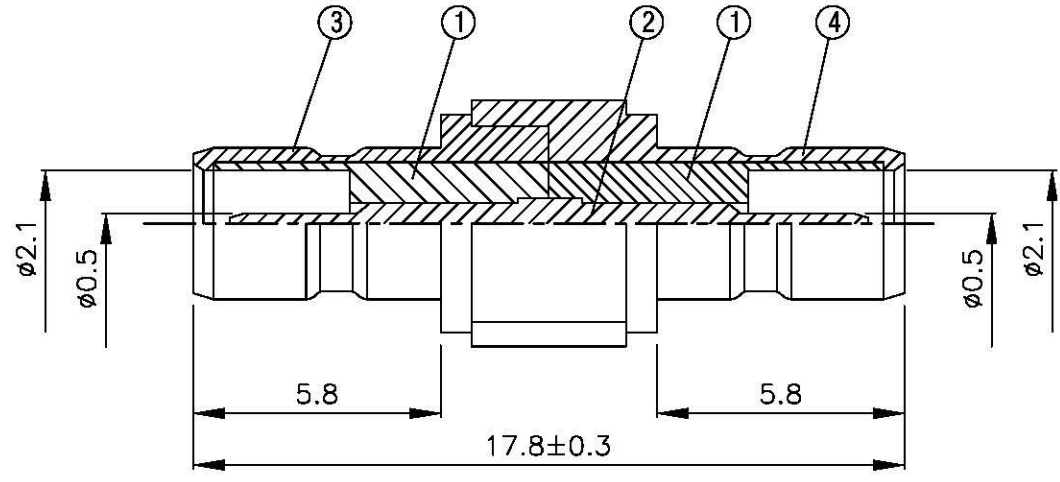
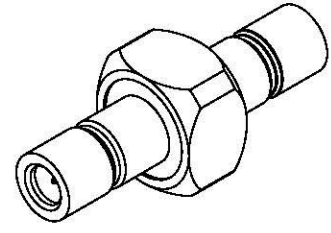


NO	DESCRIPTION	MATERIAL	Q'TY	FINISH	REMARK
1	INSULATION	TEFLON	1	TEFLON	I-0263T
2	PIN	PH.BRONZE	1	GOLD	P-SMB0355-G
3	BODY 1	BRASS	1	GOLD	B-SMB0266-G
4	BODY 2	BRASS	1	GOLD	B-SMB0549-G



All Connectors
 www.allconnectors.com
 Tel: 0049 711 7059203
 20/211 Inderslev - Germany

Info@allconnectors.com
 Fax: 0049 711 7059204
 Kellernstr. 20

TITLE **SMB MALE TO MALE ADAPTOR**
 PART NO. **SMB-20-TGG**
 DRAWING NO. **SMB 20 TGG**

DRAWN **MARY** DATE **96.03.13**
 CHECKED **黄巧君** DATE
 Q.A. **蘇姿潔** DATE
 APPROVAL **徐燦霖** DATE
 REVISION DATE

DIMENSIONS ARE IN MILLIMETER
 UNLESS OTHERWISE SPECIFIED
 TOLERANCE
 0.5-5=±0.2 120-315=±1
 5-30=±0.4 315-1000=±1.6
 30-120=±0.6 1000-2000=±2.4
 SCALE **4:1** SIZE **A**

REVISION	
DESCRIPTION	ENGINEER