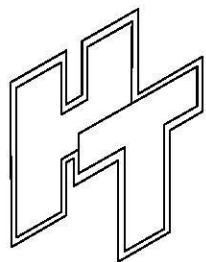
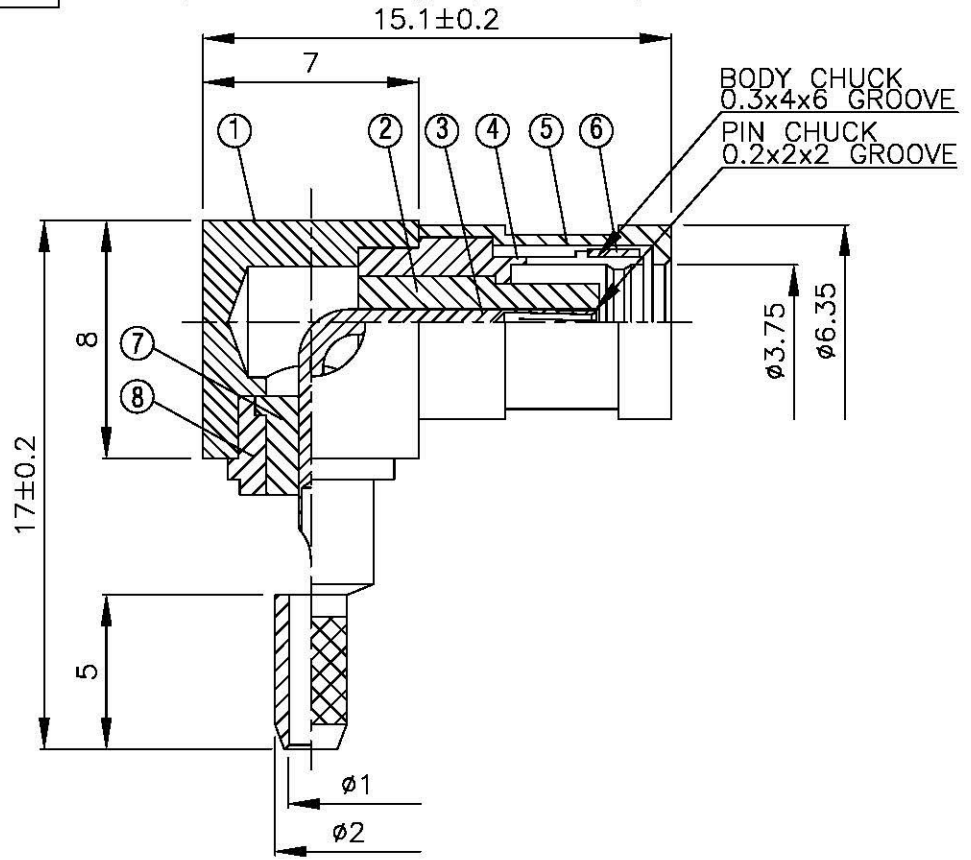
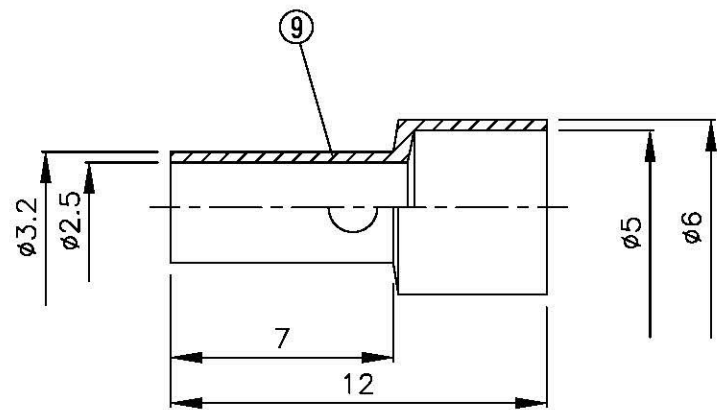
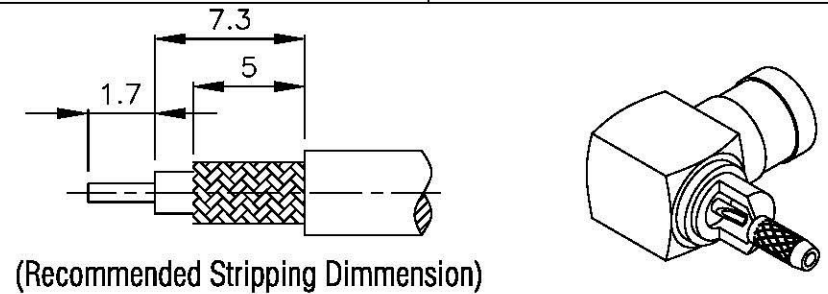


NO	DESCRIPTION	MATERIAL	Q'TY	FINISH	REMARK
1	BODY 1	BRASS	1	GOLD	B-SMB0602-G
2	INSULATION 1	TEFLON	1	TEFLON	I-0053T
3	PIN	BE CU	1	GOLD	P-SMB0394-G
4	BODY 2	BRASS	1	GOLD	B-SMB0479-G
5	BODY 3	BRASS	1	GOLD	B-SMB0245-G
6	WASHER 2	BE CU	1	NICKEL	W-0035-N
7	INSULATION 2	TEFLON	1	TEFLON	I-0280T
8	BODY 4	BRASS	1	GOLD	B-SMB0636-G
9	RING	BRASS	1	GOLD	R-0059-G



**Allconnectors**

www.allconnectors.de info@allconnectors.de  
 Tel: 0049 711 7005504 Fax: 0049 711 7005501  
 Allconnectors GmbH Reichenbachstr. 25

TITLE SMB FEMALE ANGLE CRIMP FOR RG-178/U

PART NO. SMB-19M-TGG

DRAWING NO. SMB 19M TGG

DRAWN	MARY	DATE	96.03.12
CHECKED	黄巧君	DATE	
Q.A.	蘇姿潔	DATE	
APPROVAL	徐燦霖	DATE	
REVISION		DATE	

DIMENSIONS ARE IN MILLIMETERS			
UNLESS OTHERWISE SPECIFIED TOLERANCE			
0.5-5=±0.2	120-315=±1		
5-30=±0.4	315-1000=±1.6		
30-120±0.6	1000-2000=±2.4		
SCALE	4:1	SIZE	A

REVISION	
DESCRIPTION	ENGINEER

4

3

2

1