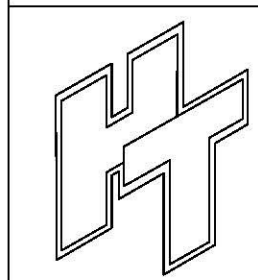
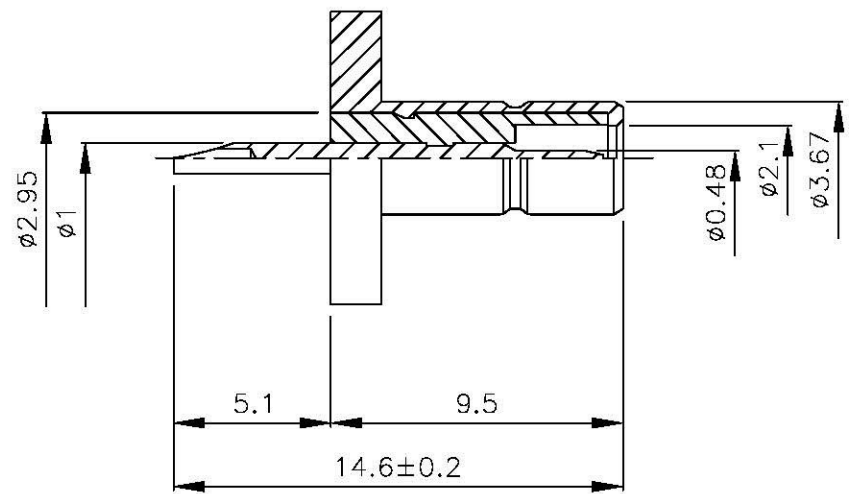
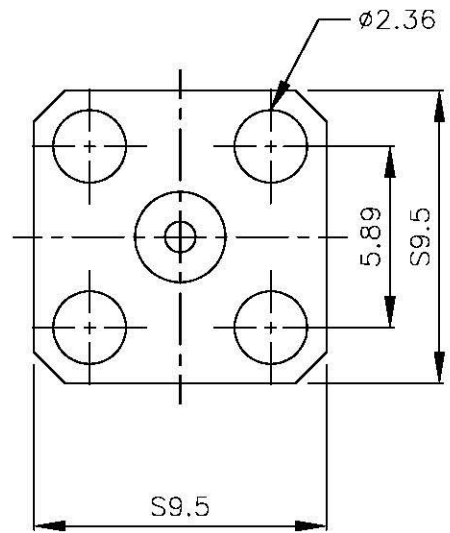
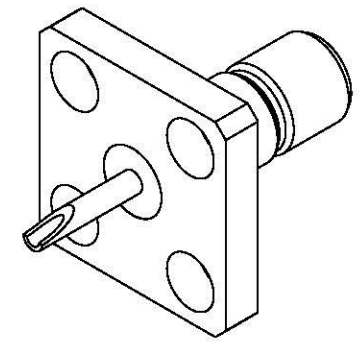


NO	DESCRIPTION	MATERIAL	Q'TY	FINISH	REMARK
1	BODY	BRASS	1	NICKEL	B-SMB0393-N
2	INSULATION	TEFLON	1	TEFLON	I-0034-T
3	PIN	BRASS	1	GOLD	P-SMB0254-G



**All Connectors**  
 www.allconnectors.de  
 Tel.: 0649 711 200500  
 76294 Hildersdorf, Germany

In fo@allconnectors.de  
 Fax: 0649 711 200504  
 Rufnummer: 025

**TITLE**  
SMA MALE PC MOUNT

**PART NO.**  
SMB-18-TGG

**DRAWING NO.**  
SMB 18 TGG

**DRAWN** MARY  
**DATE** 96.03.13

**CHECKED** 黄巧君  
**DATE**

**Q.A.** 蘇姿潔  
**DATE**

**APPROVAL** 徐燦霖  
**DATE**

**REVISION**  
**DATE**

**DIMENSIONS ARE IN MILLIMETERS**

**UNLESS OTHERWISE SPECIFIED TOLERANCE**

0.5-5=±0.2	120-315=±1
5-30=±0.4	315-1000=±1.6
30-120±0.6	1000-2000=±2.4

**SCALE** 4:1    **SIZE** A

**REVISION**

DESCRIPTION	ENGINEER