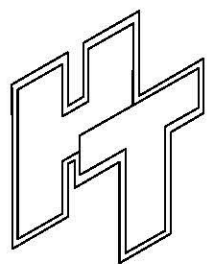
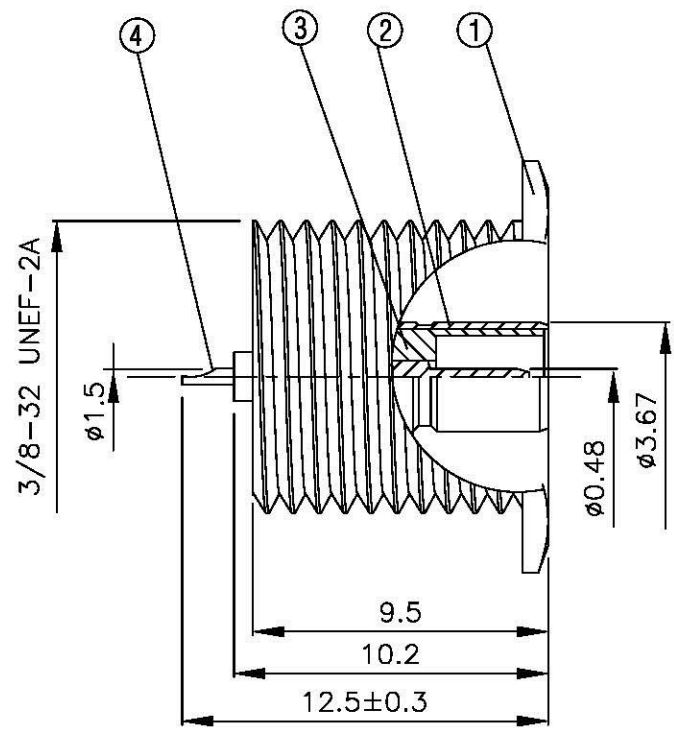
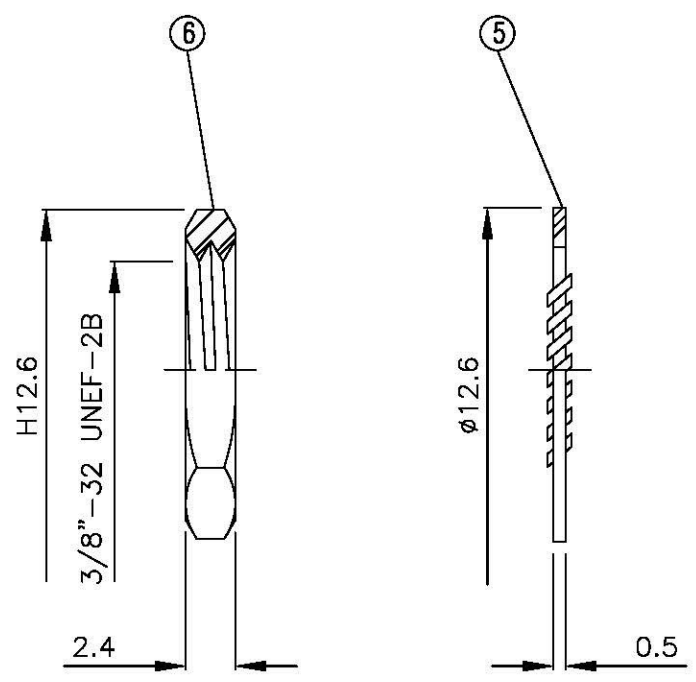
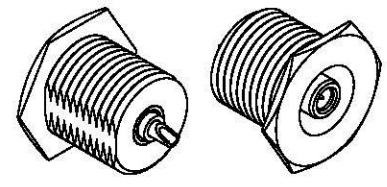
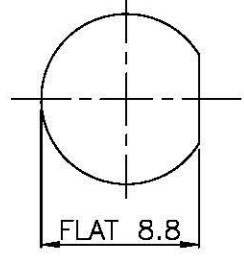


| NO | DESCRIPTION | MATERIAL | Q'TY | FINISH | REMARK |
|----|-------------|-----------|------|--------|-------------|
| 1 | BODY 1 | BRASS | 1 | GOLD | B-SMB1004-G |
| 2 | BODY 2 | BRASS | 1 | GOLD | B-SMB1003-G |
| 3 | INSULATION | TEFLON | 1 | TEFLON | I-0488T |
| 4 | PIN | PH.BRONZE | 1 | GOLD | P-SMB0696-G |
| 5 | WASHER | BRASS | 1 | GOLD | W-0003 |
| 6 | NUT | BRASS | 1 | GOLD | N-0010 |



All Connectors
 www.allconnectors.de info@allconnectors.de
 Tel: 0949 711 700507 Fax: 0949 711 700508
 70734 Fildesrieden, Germany Kertelmeier, 25

TITLE **SMB RECESSED FRONT MOUNT**

PART NO. **SMB-17V6-TGG**

DRAWING NO. **SMB-17V6-TGG**

DRAWN MARY DATE 94.09.11

CHECKED 沈佳德 DATE

Q.A. 蘇姿潔 DATE

APPROVAL 徐燦霖 DATE

REVISION DATE

DIMENSIONS ARE IN MILLIMETER

UNLESS OTHERWISE SPECIFIED TOLERANCE

0.5-5=±0.2 120-315=±1

5-30=±0.4 315-1000=±1.6

30-120=±0.6 1000-2000=±2.4

SCALE 4:1 SIZE A

| REVISION | |
|-------------|----------|
| DESCRIPTION | ENGINEER |
| | |
| | |
| | |