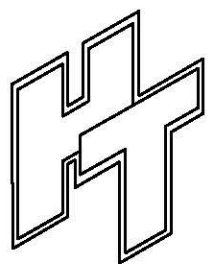
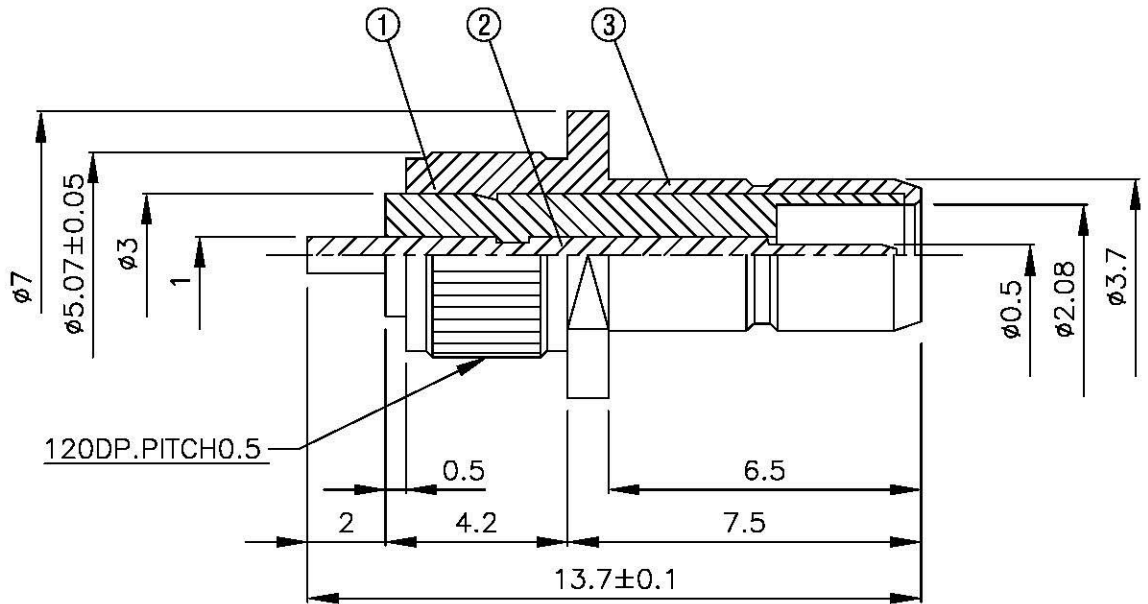
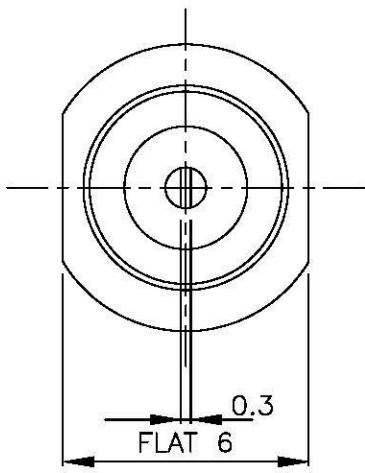
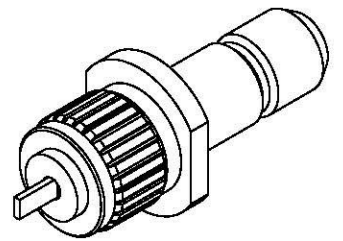


NO	DESCRIPTION	MATERIAL	Q'TY	FINISH	REMARK
1	INSULATION	TEFLON	1	TEFLON	I-0011T
2	PIN	PH.BRONZE	1	GOLD	P-SMC0092-G
3	BODY	BRASS	1	GOLD	B-SMB0485-G



Allconnectors
 www.allconnectors.de info@allconnectors.de
 TEL: 0049 211 2065183 FAX: 0049 211 2065104
 20999 Hildersbach, Germany KAT: 182710_02

TITLE **SMB PLUG BULKHEAD SOLDER**

PART NO. **SMB-17V5-TGG**

DRAWING NO. **SMB 17V5 TGG**

DRAWN **MARY** DATE **96.03.13**

CHECKED **黄巧君** DATE

Q.A. **蘇姿潔** DATE

APPROVAL **徐燦霖** DATE

REVISION DATE

DIMENSIONS ARE IN MILLMETER

UNLESS OTHERWISE SPECIFIED TOLERANCE

0.5-5=±0.2 120-315=±1

5-30=±0.4 315-1000=±1.6

30-120=±0.6 1000-2000=±2.4

SCALE 4:1 SIZE A

REVISION	
DESCRIPTION	ENGINEER

4

1

3

1

2

1

1