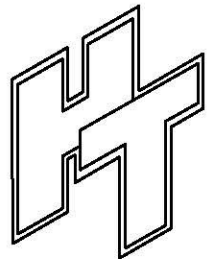
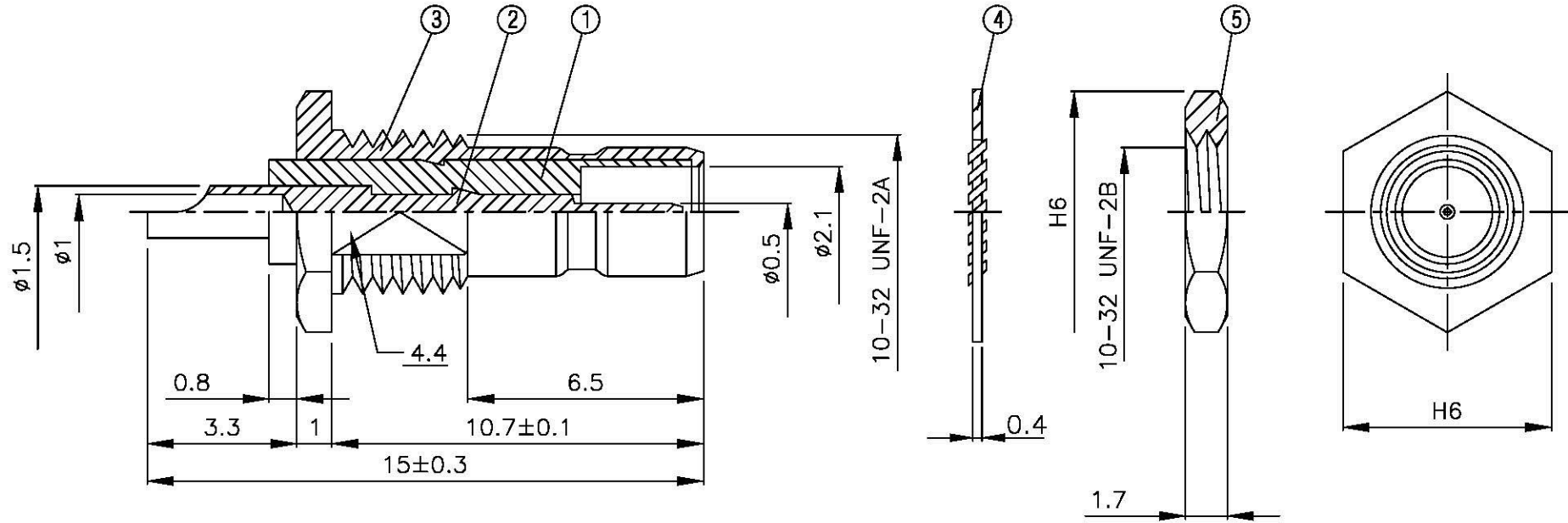
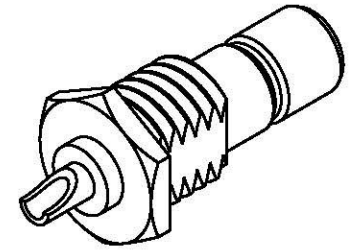


NO	DESCRIPTION	MATERIAL	Q'TY	FINISH	REMARK
1	INSULATION	TEFLON	1	TEFLON	I-0084T
2	PIN	BRASS	1	GOLD	P-SMC0178-G
3	BODY	BRASS	1	GOLD	B-SMB0312-G
4	WASHER	BRASS	1	GOLD	W-0009-G
5	NUT	BRASS	1	GOLD	N-0005-G



All Connectors

www.allconnectors.de info@allconnectors.de
 TEL: 0049 711 209593 FAX: 0049 711 709594
 20084 Hildersdorf Germany HILDEBRUNNEN AG

TITLE **SMB MALE RECEPTACLES**

PART NO. **SMB-17-TGG**

DRAWING NO. **SMB 17 TGG**

DRAWN	MARY	DATE	96.03.13
CHECKED	黄巧君	DATE	
Q.A.	蘇姿潔	DATE	
APPROVAL	徐燦霖	DATE	
REVISION		DATE	

DIMENSIONS ARE IN MILLMETER			
UNLESS OTHERWISE SPECIFIED TOLERANCE			
0.5-5=±0.2	120-315=±1		
5-30=±0.4	315-1000=±1.6		
30-120=±0.6	1000-2000=±2.4		
SCALE	4:1	SIZE	A

REVISION	
DESCRIPTION	ENGINEER