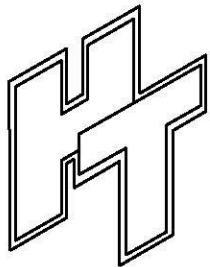
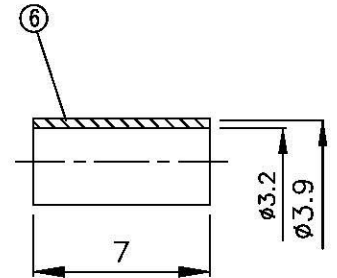
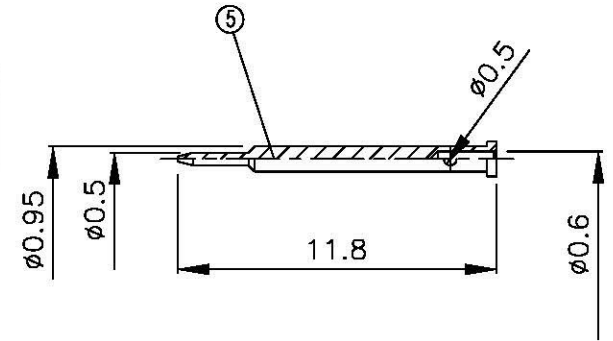
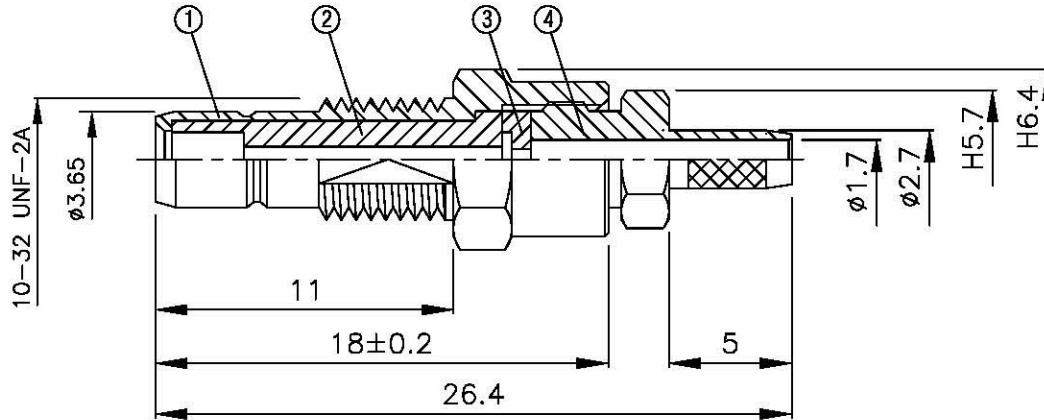
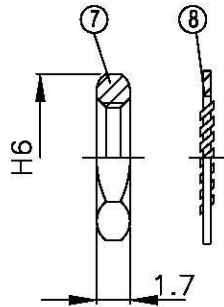
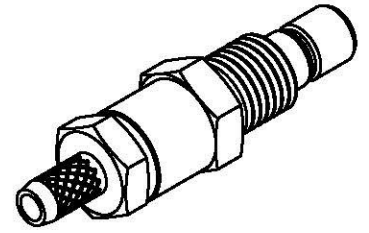


NO	DESCRIPTION	MATERIAL	Q'TY	FINISH
1	BODY 1	BRASS	1	GOLD
2	INSULATION	TEFLON	1	TEFLON
3	INSULATION	TEFLON	1	TEFLON
4	BODY 2	BRASS	1	GOLD
5	PIN	BRASS	1	GOLD
6	RING	BRASS	1	GOLD
7	NUT	BRASS	1	GOLD
8	WASHER	BRASS	1	GOLD



**All Connectors**

www.allconnectors.de info@allconnectors.de  
Tel: 0049 711 7099503 Fax: 0049 711 7099501  
70754 Fildeggartal - Germany Kettwegstr. 25

TITLE **SMB MALE CRIMP FOR  
RG316U,174U**

PART NO. **SMB-15LV1-TGG**

DRAWING NO. **SMB-15LV1 TGG**

DRAWN **MARY** DATE **96.03.18**

CHECKED **黄巧君** DATE

Q.A. **蘇姿潔** DATE

APPROVAL **徐燦霖** DATE

REVISION DATE

DIMENSIONS ARE IN MILLIMETERS

UNLESS OTHERWISE SPECIFIED  
TOLERANCE

0.5-5=±0.2	120-315=±1
5-30=±0.4	315-1000=±1.6
30-120±0.6	1000-2000=±2.4

SCALE **4:1** SIZE **A**

REVISION

DESCRIPTION	ENGINEER