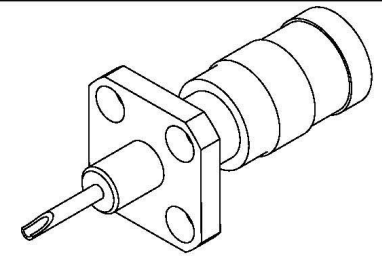


NO	DESCRIPTION	MATERIAL	Q'TY	FINISH
1	BODY 1	BRASS	1	GOLD
2	INSULATION	TEFLON	1	TEFLON
3	PIN	BE CU	1	GOLD
4	BODY 2	BRASS	1	GOLD
5	BODY 3	BRASS	1	GOLD
6	INSULATION	TEFLON	1	TEFLON
7	WASHER	BRASS	1	GOLD



D

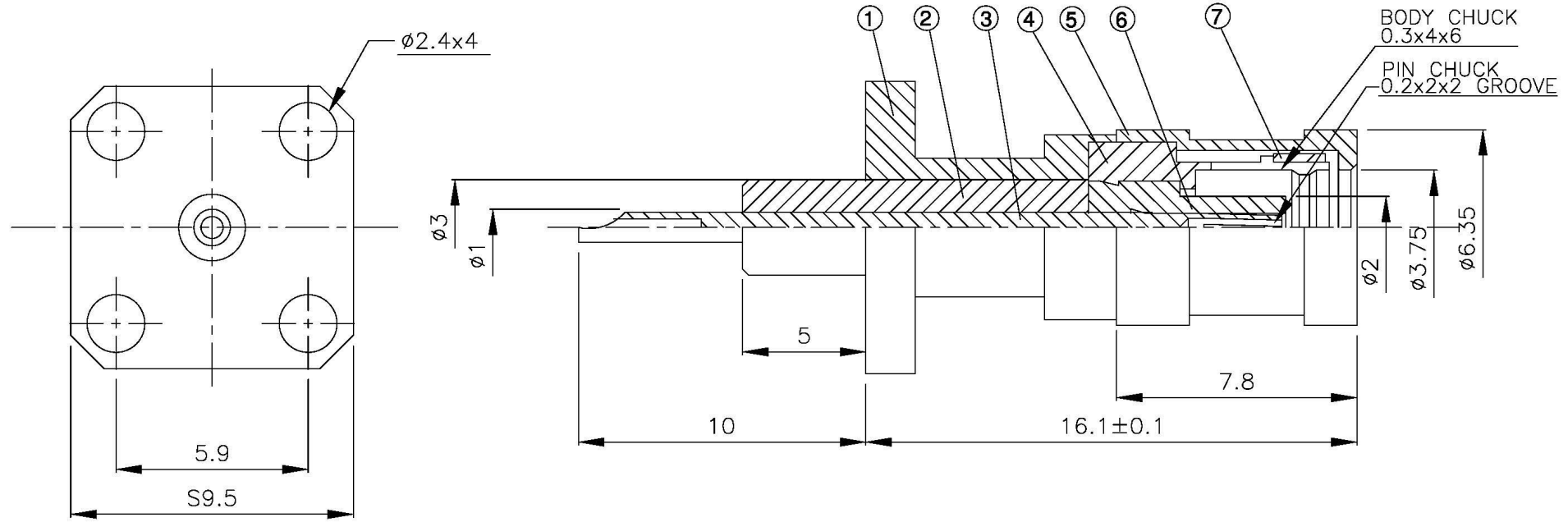
D

C

C

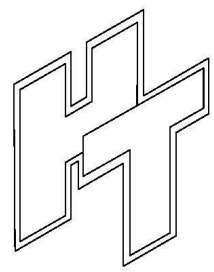
B

B



A

A



Allconnectors.de
 www.allconnectors.de
 Tel.: 0049 711 7009503
 70794 Filderstadt - Germany
 info@allconnectors.de
 Fax: 0049 711 7009504
 Kettenerstr. 25

TITLE
SMB FEMALE 4 HOLES PC MOUNT

PART NO.
SMB-13-TGG

DRAWING NO.
SMB 13 TGG

DRAWN MARY DATE 95.09.08
 CHECKED 黃巧君 DATE
 Q.A. 蘇姿潔 DATE
 APPROVAL 徐燦霖 DATE
 REVISION DATE

DIMENSIONS ARE IN MILLIMETERS
 UNLESS OTHERWISE SPECIFIED
 TOLERANCE
 0.5-5=±0.2 120-315=±0.2
 5-30=±0.4 315-1000=±0.4
 30-120=±0.6 1000-2000=±0.6
 SCALE 5:1 SIZE A

REVISION	
DESCRIPTION	ENGINEER

4

3

2

1