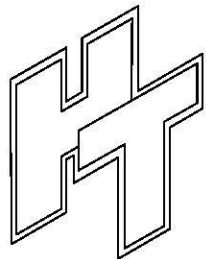
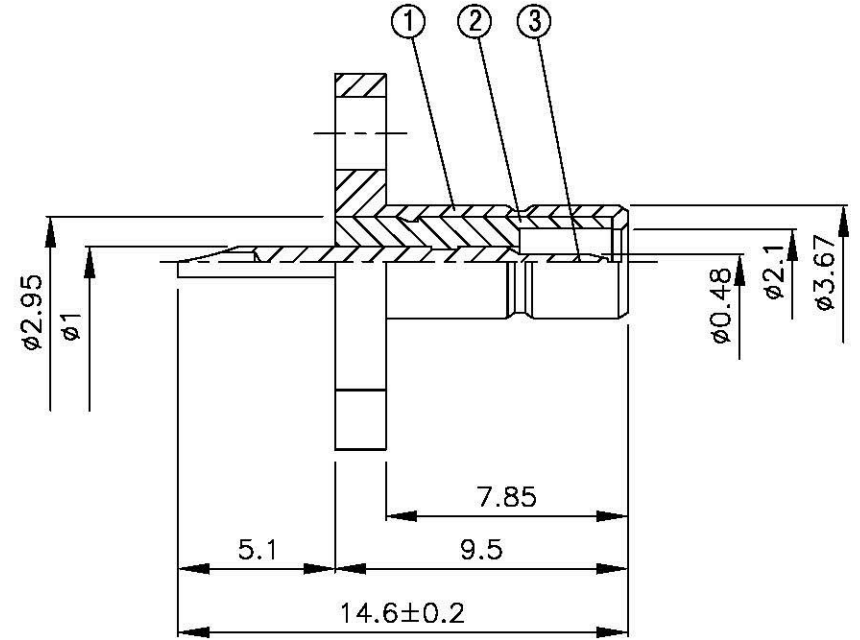
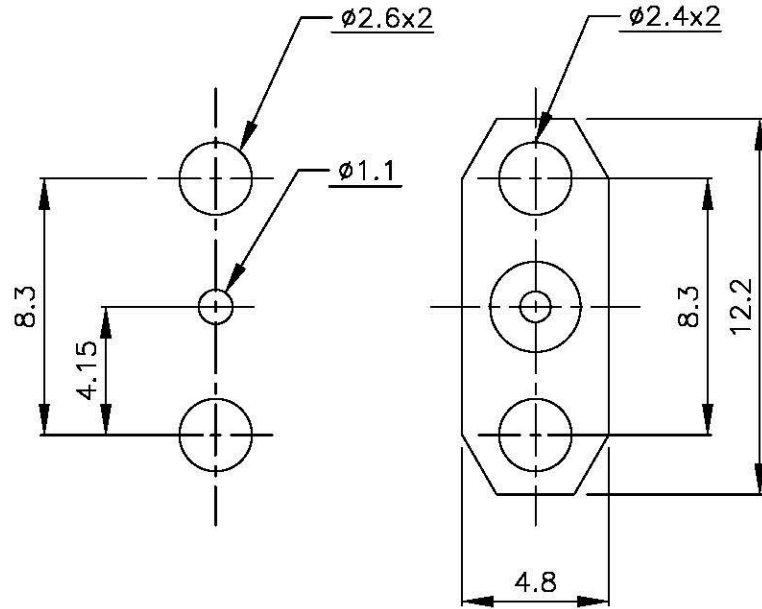
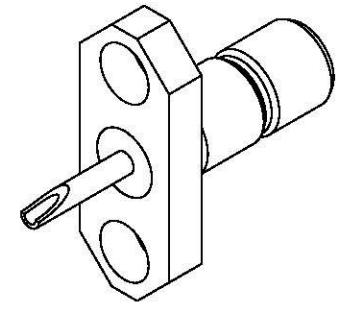


NO	DESCRIPTION	MATERIAL	Q'TY	FINISH	REMARK
1	BODY	BRASS	1	GOLD	B-SMB0392-G
2	INSULATION	TEFLON	1	TEFLON	I-0034T
3	PIN	PH.BRONZE	1	GOLD	P-SMB0254-G



All Connectors

General connectors for
radio, MMIC, VLSI, ASICs etc.
70754 Tübingen, Germany

Industrial connectors for
radio, MMIC, VLSI, ASICs etc.
70754 Tübingen, Germany

DRAWN MARY DATE 96.03.13

CHECKED 黄巧君 DATE

Q.A. 蘇姿潔 DATE

APPROVAL 徐燦霖 DATE

REVISION DATE

DIMENSIONS ARE IN MILLIMETERS

UNLESS OTHERWISE SPECIFIED TOLERANCE

0.5-5=±0.2 120-315=±1

5-30=±0.4 315-1000=±1.6

30-120±0.6 1000-2000=±2.4

SCALE 4:1 SIZE A

REVISION

DESCRIPTION	ENGINEER

TITLE SMA MALE PC MOUNT

PART NO. SMB-12-TGG

DRAWING NO. SMB 12 TGG

4

3

2

1