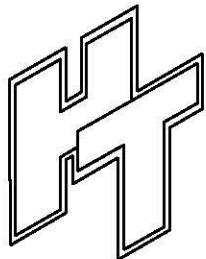
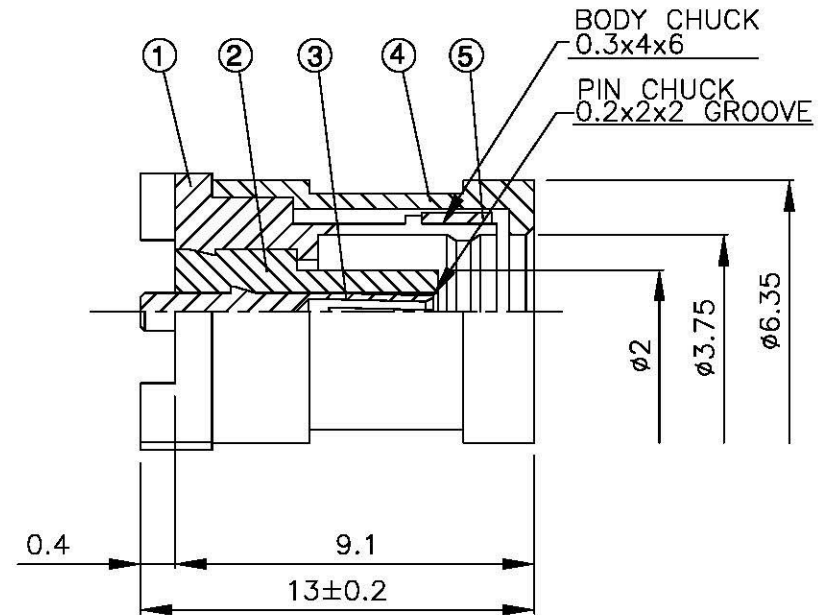
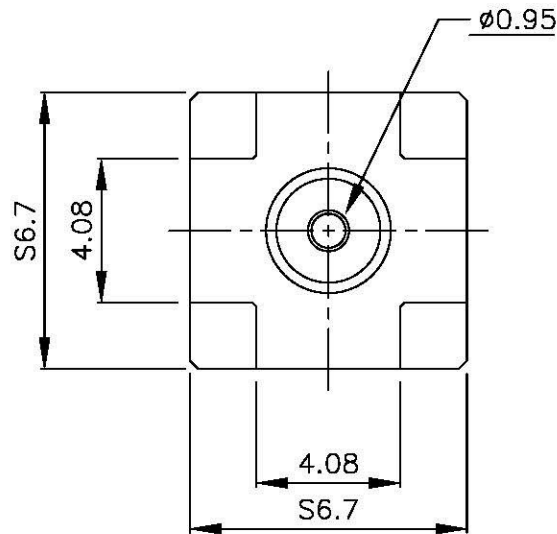
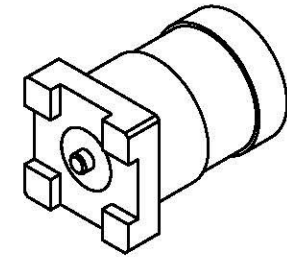
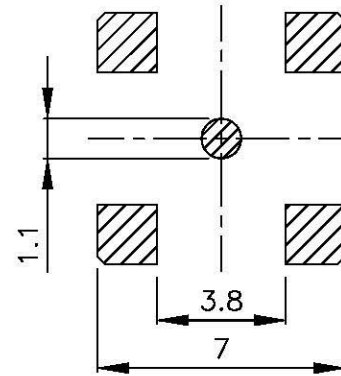


NO	DESCRIPTION	MATERIAL	Q'TY	FINISH	REMARK
1	BODY 1	BRASS	1	NICKEL	B-SMB0525-N
2	INSULATION	TEFLON	1	TEFLON	I-0069T
3	PIN	BE CU	1	GOLD	P-SMB0349-G
4	BODY 2	BRASS	1	NICKEL	B-SMB0245-N
4	WASHER	BRASS	1	NICKEL	W-0035-N



All Connectors

www.allconnectors.de
Tel: 0049 201 209590
All Connectors GmbH
Hilfenstraße 10
42699 Solingen, Germany

TITLE
SMB FEMALE PC MOUNT

PART NO.
SMB-11V4-TGN

DRAWING NO. **SMB 11V4 TGN**

DRAWN
MARY

DATE
96.03.13

CHECKED **黄巧君**

DATE

Q.A. **蘇姿潔**

DATE

APPROVAL **徐燦霖**

DATE

REVISION

DATE

DIMENSIONS ARE IN MILLIMETERS

UNLESS OTHERWISE SPECIFIED
TOLERANCE
0.5-5=±0.2 120-315=±0.2
5-30=±0.4 315-1000=±0.4
30-120=±0.6 1000-2000=±0.6

SCALE 5:1 SIZE A

REVISION

DESCRIPTION ENGINEER