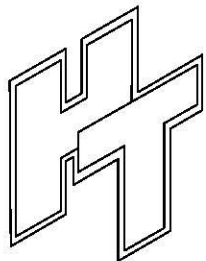
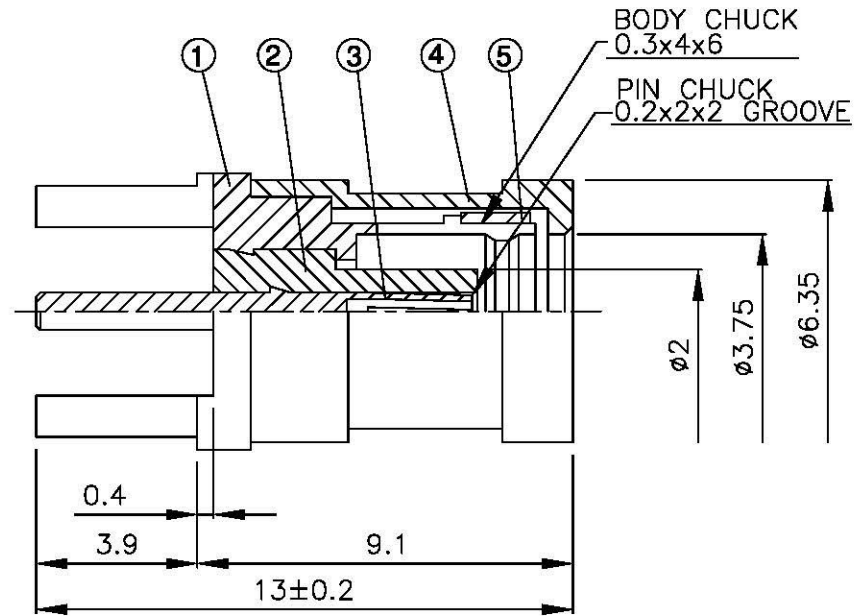
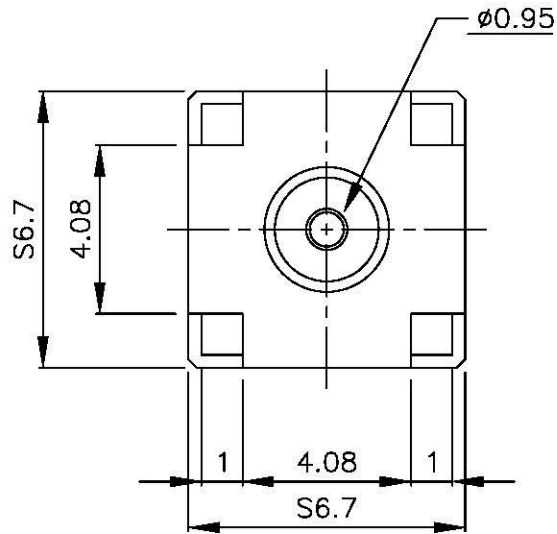
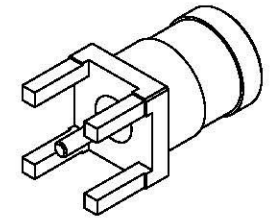
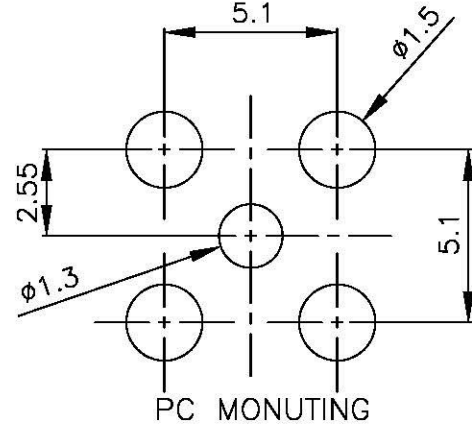


NO	DESCRIPTION	MATERIAL	Q'TY	FINISH	REMARK
1	BODY 1	BRASS	1	GOLD	B-SMB0280-G
2	INSULATION	TEFLON	1	TEFLON	I-0069T
3	PIN	BE CU	1	GOLD	P-SMB0163-G
4	BODY 2	BRASS	1	GOLD	B-SMB0245-G
5	WASHER	BRASS	1	GOLD	W-0035



Allconnectors

www.allconnectors.de
 info@allconnectors.de
 TEL: 0445 231 450/451
 70794 Filderstadt, Germany
 FAX: 0445 231 4510/4
 Kollmannstr. 25

TITLE
SMB FEMALE PC MOUNT

PART NO.
SMB-11-TGG

DRAWING NO.
SMB 11 TGG

DRAWN
 MARY

CHECKED
 黄巧君

Q.A.
 蘇姿潔

APPROVAL
 徐燦霖

REVISION

DATE
 91.03.11

DATE
 91.03.11

DATE

DATE

DATE

DIMENSIONS ARE IN MILLIMETERS

UNLESS OTHERWISE SPECIFIED
 TOLERANCE

0.5-5=±0.2 120-315=±0.2

5-30=±0.4 315-1000=±0.4

30-120=±0.6 1000-2000=±0.6

SCALE 5:1 SIZE A

REVISION	
DESCRIPTION	ENGINEER