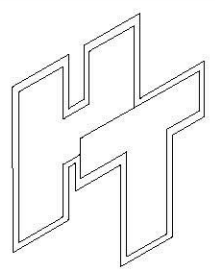
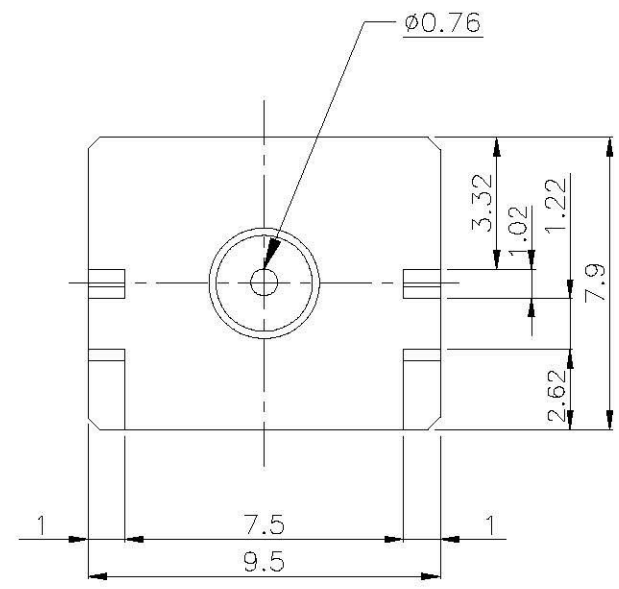
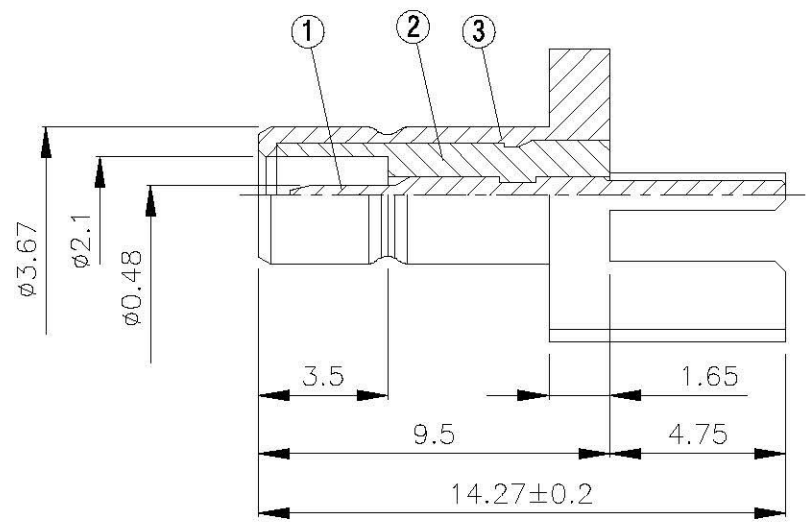
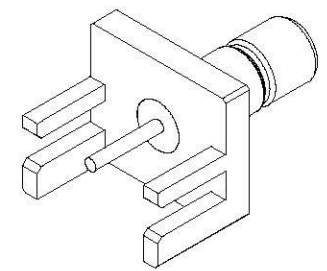


NO	DESCRIPTION	MATERIAL	Q'TY	FINISH	REMARK
1	PIN	BRASS	1	GOLD	P-SMB0128-G
2	INSULATION	TEFLON	1	TEFLON	I-0034T
3	BODY	BRASS	1	GOLD	B-SMB1213-G



All Connectors
 www.allconnectors.de info@allconnectors.de
 Tel.: 0049 711 7002803 Fax: 0049 711 7002804
 20794 Hildesheim Germany Kottbomstr. 25

TITLE SMB MALE END LAUNCH
 FOR COARD THICKNESS .042(1.07)

PART NO. SMB-10V8-TGG

DRAWING NO. SMB 10V8 TGG

DRAWN MARY **DATE** 96.09.05

CHECKED 黃巧君 **DATE**

Q.A. 蘇姿潔 **DATE**

APPROVAL 徐燦霖 **DATE**

REVISION **DATE**

DIMENSIONS ARE IN MILLIMETERS

UNLESS OTHERWISE SPECIFIED TOLERANCE

0.5-5=±0.2 120-315=±1
 5-30= ±0.4 315-1000=±1.6
 30-120±0.6 1000-2000=±2.4

SCALE 4:1 **SIZE** A

REVISION	
DESCRIPTION	ENGINEER