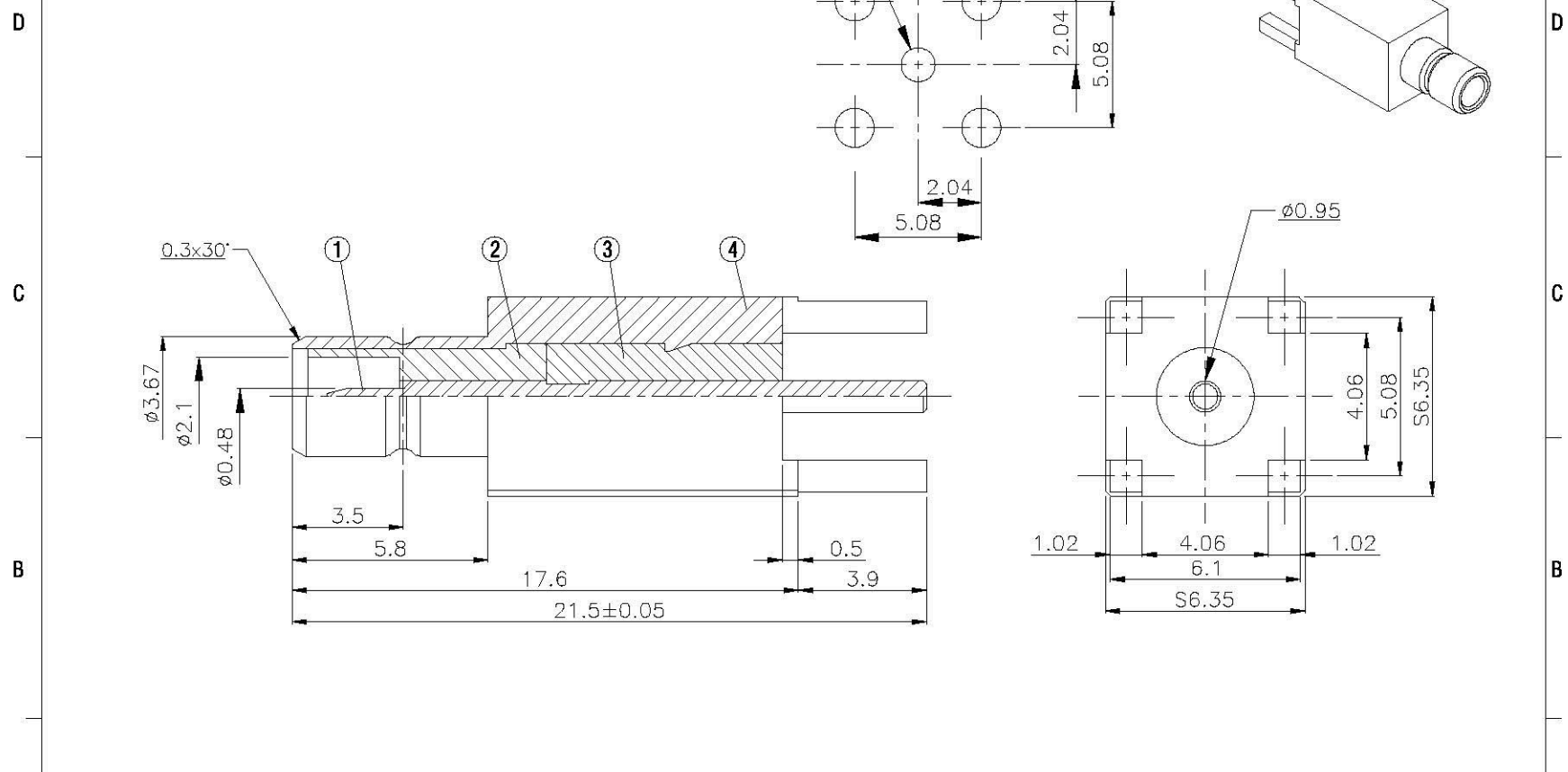


NO	DESCRIPTION	MATERIAL	Q'TY	FINISH	REMARK
1	PIN	PH.BRONZE	1	GOLD	P-SMB0324-G
2	INSULATION 1	TEFLON	1	TEFLON	I-0058T
3	INSULATION 2	TEFLON	1	TEFLON	I-0234T
4	BODY	BRASS	1	NICKEL	B-SMB0480-N



		DRAWN	MARY	DATE	92.04.02	DIMENSIONS ARE IN MILLIMETERS			REVISION				
	<small>www.allconnectors.de Tel: 0949 7217003902 70731 Filberstadt - Germany</small>	<small>info@allconnectors.de Fax: 0949 7217003904 Ketteweg 25</small>	CHECKED	蘇志欣	DATE						97.05.30	UNLESS OTHERWISE SPECIFIED TOLERANCE	
	TITLE		SMB MALE PCB MOUNT		Q.A.	蘇姿潔	DATE						
	PART NO.		SMB-10V7-TGN		APPROVAL	徐燦霖	DATE						
	DRAWING NO.		SMB 10V7 TGN		REVISION		DATE						
				SCALE	4:1	SIZE	A						