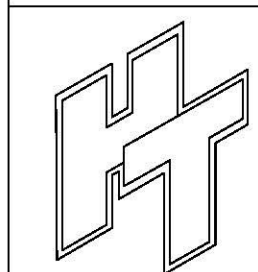
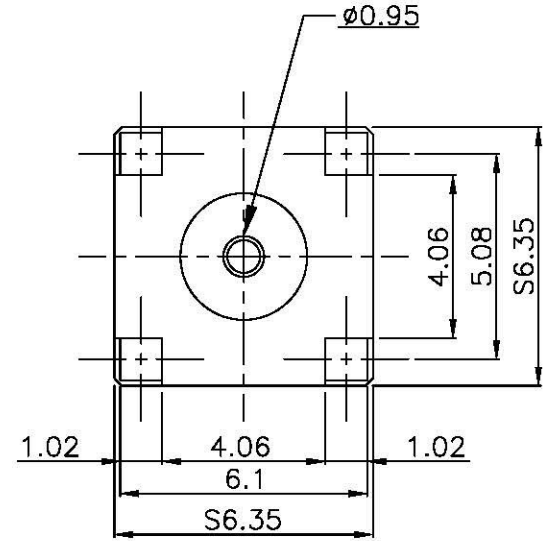
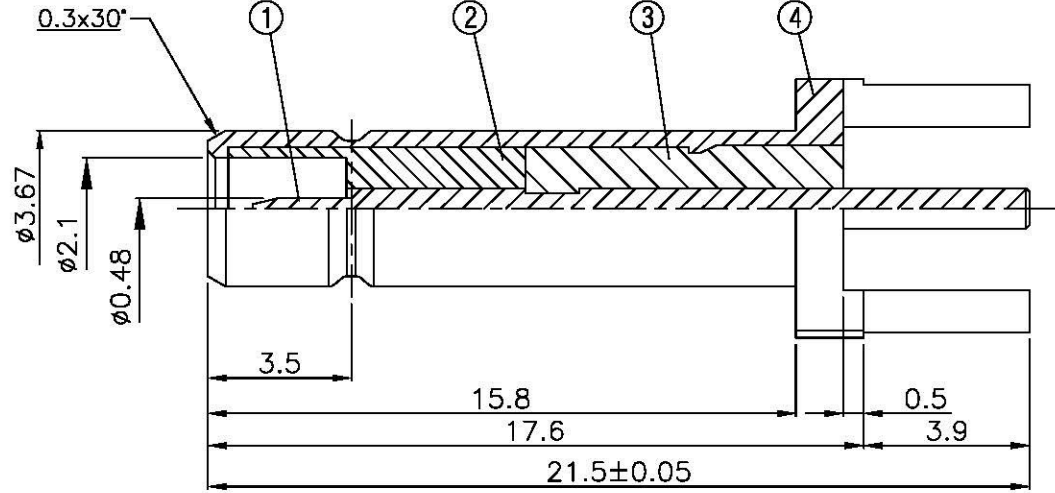
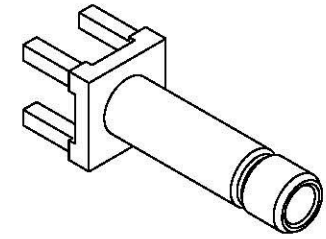
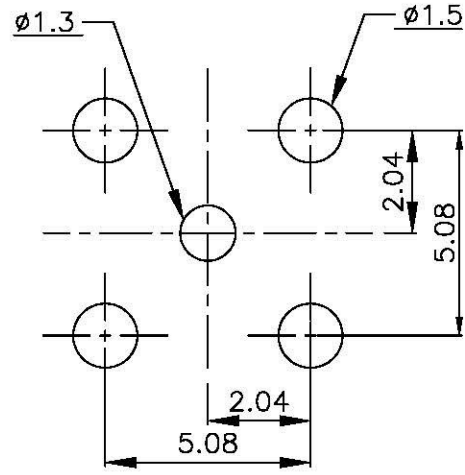


NO	DESCRIPTION	MATERIAL	Q'TY	FINISH	REMARK
1	PIN	PH.BRONZE	1	GOLD	P-SMB0324-G
2	INSULATION 1	TEFLON	1	TEFLON	I-0058T
3	INSULATION 2	TEFLON	1	TEFLON	I-00234T
4	BODY	BRASS	1	NICKEL	B-SMB0481-N



All Connectors
 www.allconnectors.de
 Tel: +49 39 71 200000
 792911 Hilderstadt - Germany
 info@allconnectors.de
 Fax: +49 39 71 200001
 Kettnerstraße 25

TITLE **SMB MALE PCB MOUNT**

PART NO. **SMB-10V6-TGN**

DRAWING NO. **SMB 10V6 TGN**

DRAWN **MARY** DATE **92.03.31**

CHECKED **蘇志欣** DATE **97.05.20**

Q.A. **蘇姿潔** DATE

APPROVAL **徐燦霖** DATE

REVISION DATE

DIMENSIONS ARE IN MILLIMETERS

UNLESS OTHERWISE SPECIFIED TOLERANCE

0.5-5=±0.2 120-315=±1

5-30=±0.4 315-1000=±1.6

30-120±0.6 1000-2000=±2.4

SCALE **4:1** SIZE **A**

REVISION	
DESCRIPTION	ENGINEER