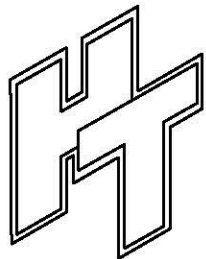
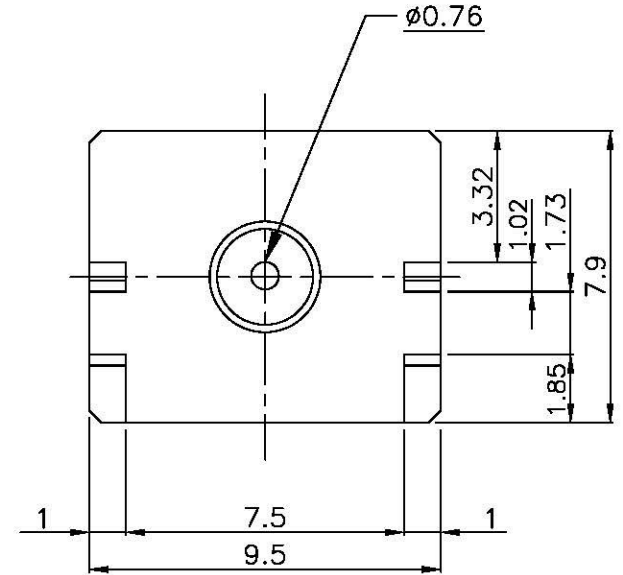
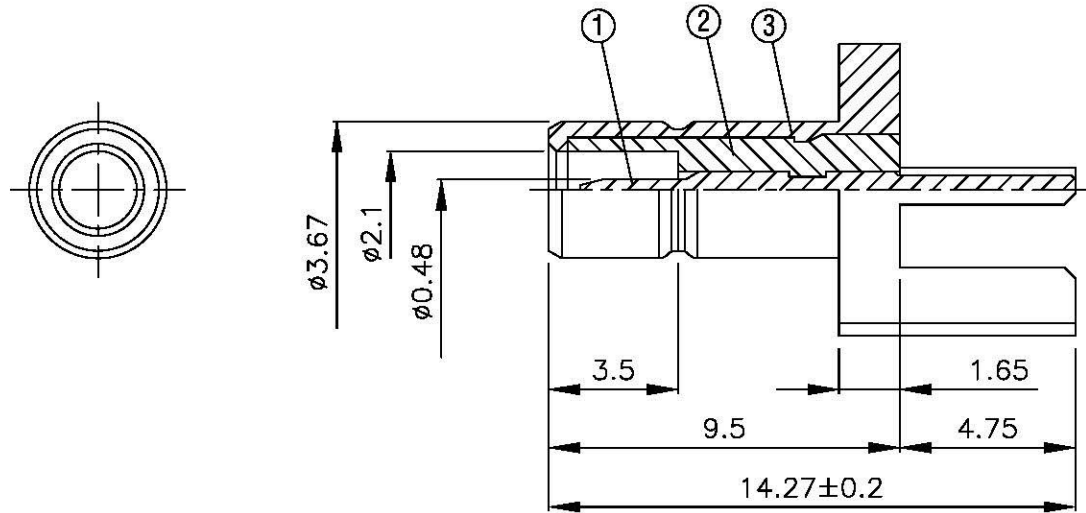
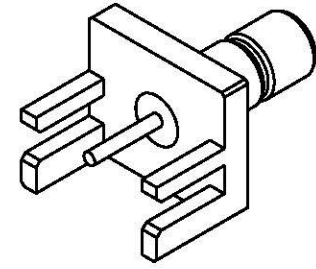


NO	DESCRIPTION	MATERIAL	Q'TY	FINISH	REMARK
1	PIN	BRASS	1	GOLD	P-SMB0128-G
2	INSULATION	TEFLON	1	TEFLON	I-0034T
3	BODY	BRASS	1	GOLD	B-SMB0199-G



All Connectors

www.allconnectors.de
Tel: 0049 431 400500
50794 Ellershausen, Germany

info@allconnectors.de
Fax: 0049 431 400504
Germany, 25

TITLE **SMB MALE END LAUNCH**

PART NO. **SMB-10V5-TGG**

DRAWING NO. **SMB 10V5 TGG**

DRAWN **MARY** DATE **96.03.14**

CHECKED **黄巧君** DATE

Q.A. **蘇姿潔** DATE

APPROVAL **徐燦霖** DATE

REVISION DATE

DIMENSIONS ARE IN MILLIMETERS

UNLESS OTHERWISE SPECIFIED
TOLERANCE

0.5-5 = ± 0.2 120-315 = ± 1
5-30 = ± 0.4 315-1000 = ± 1.6
30-120 ± 0.6 1000-2000 = ± 2.4

SCALE **4:1** SIZE **A**

REVISION

DESCRIPTION ENGINEER

4

3

2

1