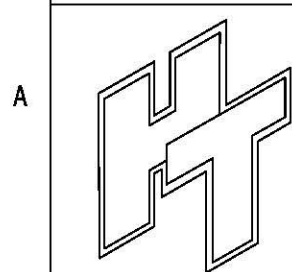
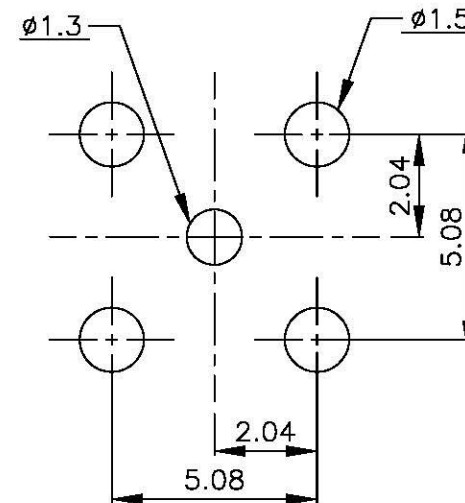
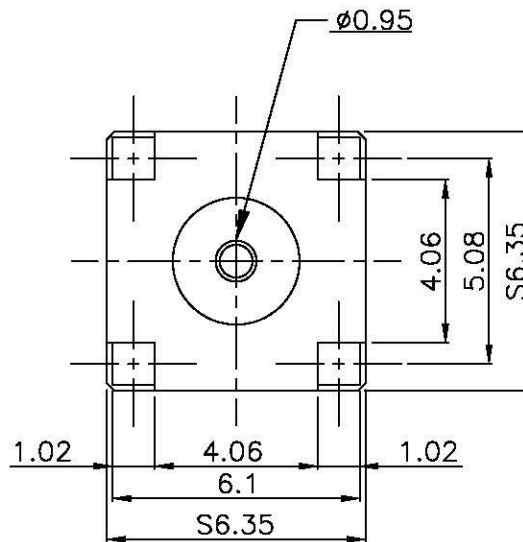
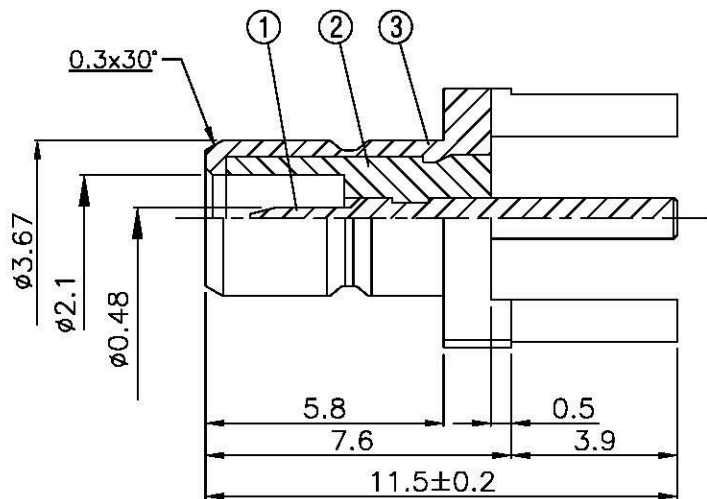
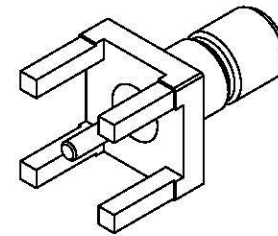


NO	DESCRIPTION	MATERIAL	Q'TY	FINISH	REMARK
1	PIN	BRASS	1	GOLD	P-SMB0125-G
2	INSULATION	TEFLON	1	TEFLON	I-0031T
3	BODY	BRASS	1	GOLD	B-SMB0009-G



All Connectors

www.allconnectors.de
Tel.: 0049 7141 900030
20794 Filderstadt Germany

Info@allconnectors.de
Fax: 0049 7141 900204
info@allconnectors.de

TITLE **SMB MALE PCB MOUNT**

PART NO. **SMB-10-TGG**

DRAWING NO. **SMB 10 TGG**

DRAWN **MARY** DATE **96.03.14**

CHECKED **黄巧君** DATE

Q.A. **蘇姿潔** DATE

APPROVAL **徐燦霖** DATE

REVISION DATE

DIMENSIONS ARE IN MILLIMETERS

UNLESS OTHERWISE SPECIFIED TOLERANCE

0.5-5=±0.2 120-315=±1
5-30=±0.4 315-1000=±1.6
30-120±0.6 1000-2000=±2.4

SCALE **4:1** SIZE **A**

REVISION

DESCRIPTION ENGINEER

4

3

2

1