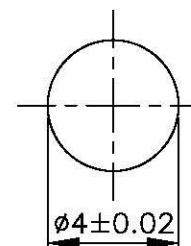
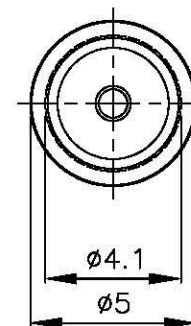
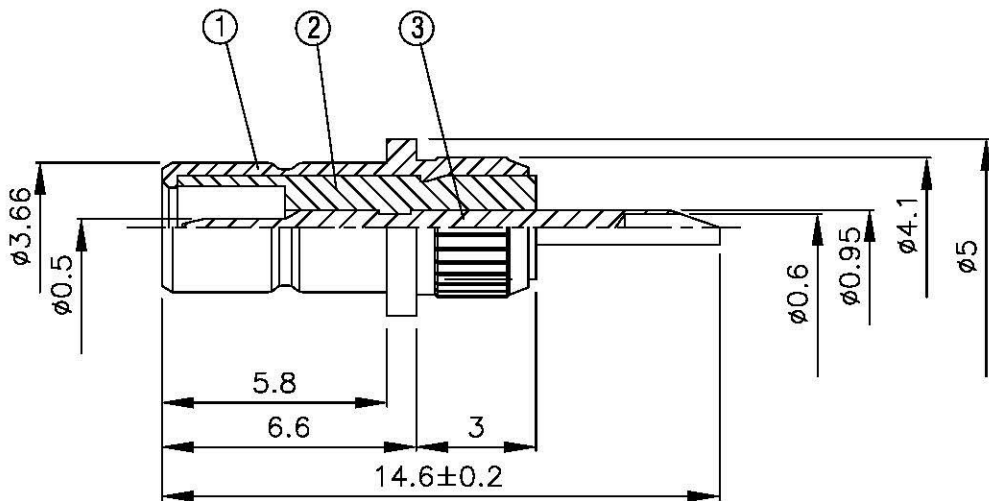
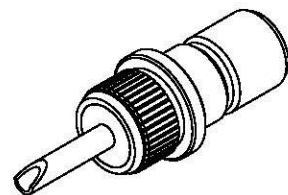
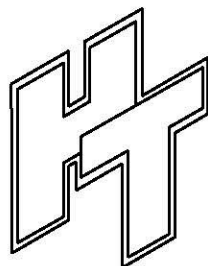


NO	DESCRIPTION	MATERIAL	Q'TY	FINISH	REMARK
1	BODY	BRASS	1	GOLD	B-SMB0526-G
2	INSULATION	TEFLON	1	TEFLON	I-0034T
3	PIN	PH.BRONZE	1	GOLD	P-SMB0254-G



MOUNTING HOLE



**All Connectors**

www.allconnectors.com info@allconnectors.com  
 121124869 711 9052902 Fax: 1848 711 305994  
 75754 Filbergsdell - Germany Tel: 1848 711 25

TITLE SMB MALE PRESS-IN  
BULKHEAD RECEPTACLE

PART NO. SMB-09V5-TGG

DRAWING NO. SMB 09V5 TGG

DRAWN MARY DATE 96.03.15

CHECKED 黄巧君 DATE

Q.A. 蘇姿潔 DATE

APPROVAL 徐燦霖 DATE

REVISION DATE

DIMENSIONS ARE IN MILLIMETERS

UNLESS OTHERWISE SPECIFIED  
TOLERANCE

0.5-5=±0.2	120-315=±1
5-30=±0.4	315-1000=±1.6
30-120±0.6	1000-2000=±2.4

SCALE 4:1 SIZE A

REVISION

DESCRIPTION	ENGINEER