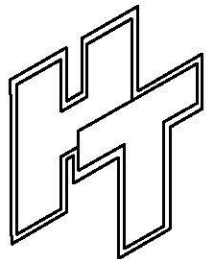
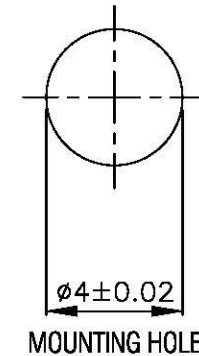
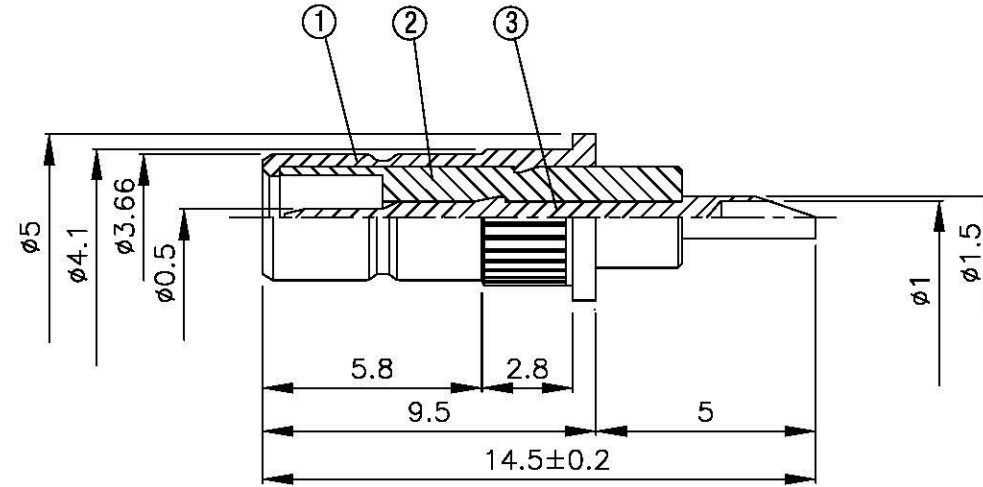
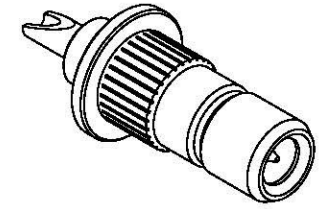


NO	DESCRIPTION	MATERIAL	Q'TY	FINISH	REMARK
1	BODY	BRASS	1	GOLD	B-SMB0532-G
2	INSULATION	TEFLON	1	TEFLON	I-0255T
3	PIN	PH.BRONZE	1	GOLD	P-SMB0350-G



**All Connectors**

www.allconnectors.de  
Tel: +49 391 211 4910500  
70794 Filderstadt, Germany

Info@allconnectors.de  
Fax: +49 391 211 4902980  
Königsplatz, 25

TITLE **SMB MALE PRESS-IN  
BULKHEAD RECEPTACLE**

PART NO. **SMB-09V4-TGG**

DRAWING NO. **SMB 09V4 TGG**

DRAWN **MARY** DATE **96.03.12**

CHECKED **黄巧君** DATE

Q.A. **蘇姿潔** DATE

APPROVAL **徐燦霖** DATE

REVISION DATE

DIMENSIONS ARE IN MILLIMETERS

UNLESS OTHERWISE SPECIFIED  
TOLERANCE

0.5-5=±0.2	120-315=±1
5-30=±0.4	315-1000=±1.6
30-120±0.6	1000-2000=±2.4

SCALE **4:1** SIZE **A**

REVISION

DESCRIPTION	ENGINEER

4

3

2

1