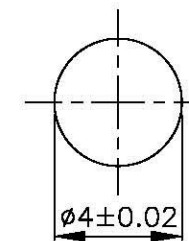
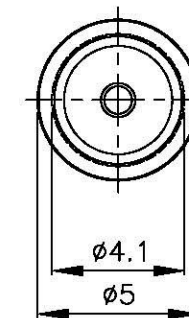
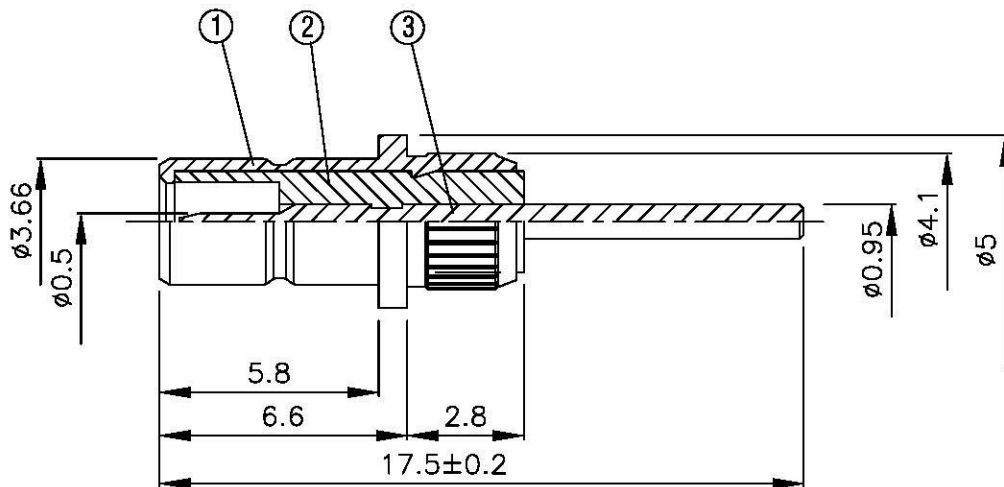
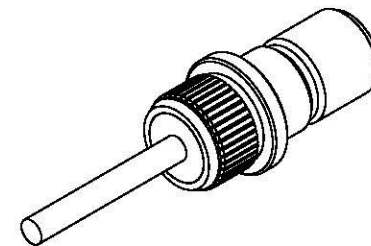
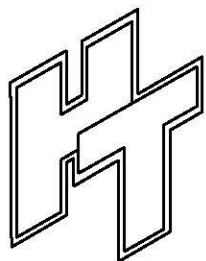


| NO | DESCRIPTION | MATERIAL | Q'TY | FINISH | REMARK |
|----|-------------|-----------|------|--------|-------------|
| 1 | BODY | BRASS | 1 | GOLD | B-SMB0526-G |
| 2 | INSULATION | TEFLON | 1 | TEFLON | I-0034T |
| 3 | PIN | PH.BRONZE | 1 | GOLD | P-SMB0351-G |



MOUNTING HOLE



All Connectors

www.allconnectors.de
 info@allconnectors.de
 49244 Hiltorfstraße 10, Germany
 49244 Hiltorfstraße 10, Germany
 Kabinenstraße 12, 25

TITLE **SMB MALE PRESS-IN
 BULKHEAD RECEPTACLE**

PART NO. **SMB-09-TGG**

DRAWING NO. **SMB 09 TGG**

DRAWN **MARY** DATE **96.03.12**

CHECKED **黄巧君** DATE

Q.A. **蘇姿潔** DATE

APPROVAL **徐燦霖** DATE

REVISION DATE

DIMENSIONS ARE IN MILLIMETERS

UNLESS OTHERWISE SPECIFIED
 TOLERANCE
 0.5-5=±0.2 120-315=±1
 5-30=±0.4 315-1000=±1.6
 30-120±0.6 1000-2000=±2.4

SCALE **4:1** SIZE **A**

REVISION

| DESCRIPTION | ENGINEER |
|-------------|----------|
| | |
| | |
| | |