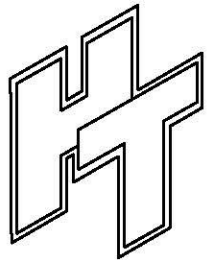
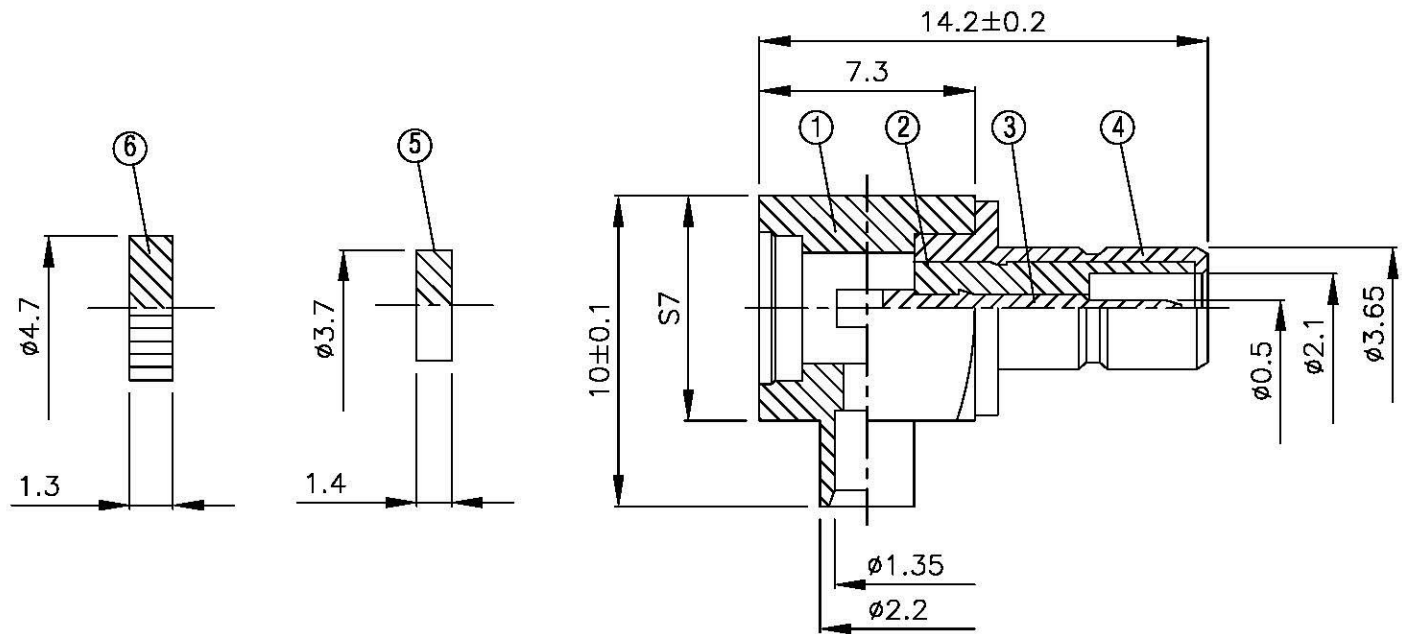
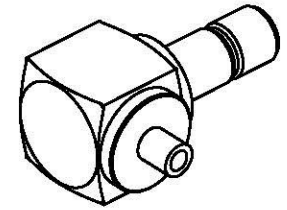
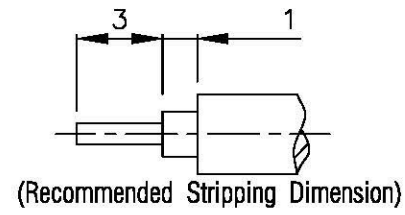


NO	DESCRIPTION	MATERIAL	Q'TY	FINISH	REMARK
1	BODY 1	BRASS	1	GOLD	B-SMB0254-G
2	INSULATION	TEFLON	1	TEFLON	I-0058T
3	PIN	PH.BRONZE	1	GOLD	P-SMB0188-G
4	BODY 2	BRASS	1	GOLD	B-SMB0266-G
5	INSULATION 2	TEFLON	1	TEFLON	I-0136T
6	WASHER 2	BRASS	1	GOLD	W-0023-G



**All Connectors**

www.allconnectors.com  
Tel: 0048 711 7008508  
allconnectors@allconnectors.com

TITLE  
SMA MALE SLDER FOR M17/151 (.047)

PART NO. SMB-08V3-TGG

DRAWING NO. SMB 08V3 TGG

DRAWN	MARY	DATE	96.03.13
CHECKED	黄巧君	DATE	
Q.A.	蘇姿潔	DATE	
APPROVAL	徐燦霖	DATE	
REVISION		DATE	

DIMENSIONS ARE IN MILLMETERS			
UNLESS OTHERWISE SPECIFIED TOLERANCE			
0.5-5=±0.2	120-315=±1		
5-30=±0.4	315-1000=±1.6		
30-120±0.6	1000-2000=±2.4		
SCALE	4:1	SIZE	A

REVISION	
DESCRIPTION	ENGINEER