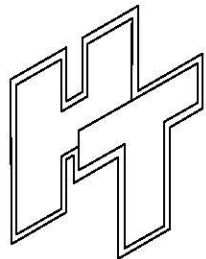
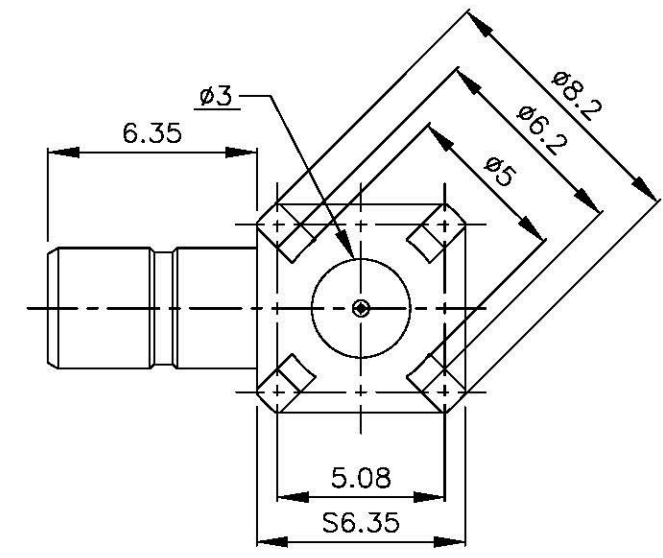
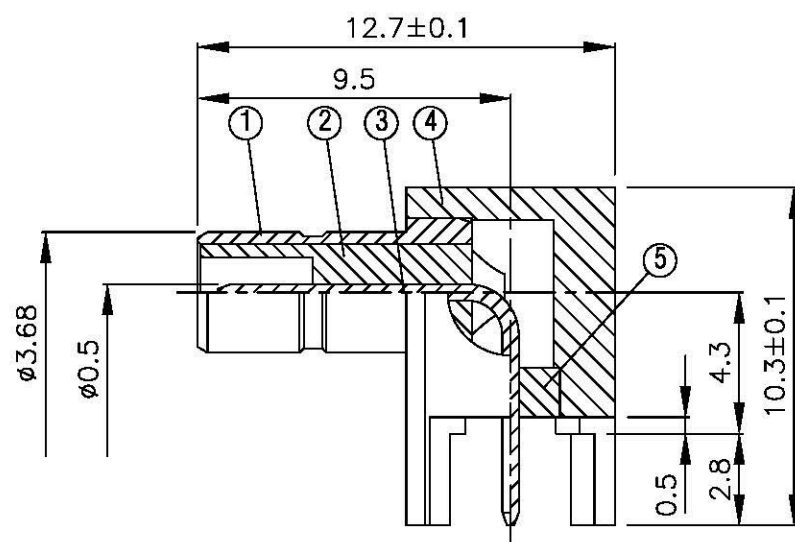
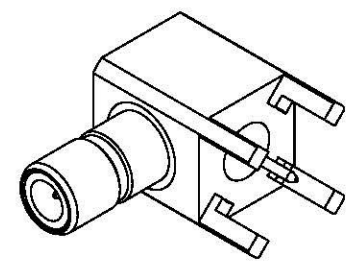
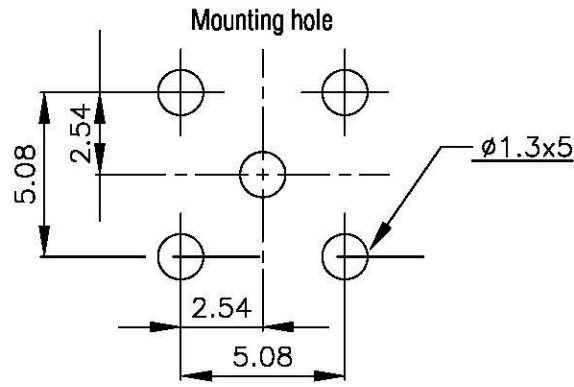


NO	DESCRIPTION	MATERIAL	Q'TY	FINISH	REMARK
1	BODY 1	BRASS	1	GOLD	B-SMB0817-G
2	INSULATION 1	TEFLON	1	TEFLON	I-0538T
3	PIN	BRASS	1	GOLD	P-SMB0785-G
4	BODY 2	BRASS	1	GOLD	B-SMB1113-G
5	INSULATION 2	TEFLON	1	TEFLON	I-0394T



**Allconnectors**

www.allconnectors.com  
 Tel: 0049 431 700504  
 70794 Hilderstadt - Germany

info@allconnectors.com  
 Fax: 0049 431 700504  
 Kettnerstr. 25

TITLE SMB ANGLE MALE FOR PC MOUNT

PART NO. SMB-07V6-TGG

DRAWING NO. SMB-07V6-TGG

DRAWN	MARY	DATE	96.03.13
CHECKED	蘇姿潔	DATE	
Q.A.	馮健華	DATE	
APPROVAL	徐燦霖	DATE	
REVISION		DATE	

DIMENSIONS ARE IN MILLIMETERS			
UNLESS OTHERWISE SPECIFIED TOLERANCE			
0.5-5=±0.2	120-315=±1		
5-30=±0.4	315-1000=±1.6		
30-120±0.6	1000-2000=±2.4		
SCALE	4:1	SIZE	A

REVISION	
DESCRIPTION	ENGINEER

4

3

2

1