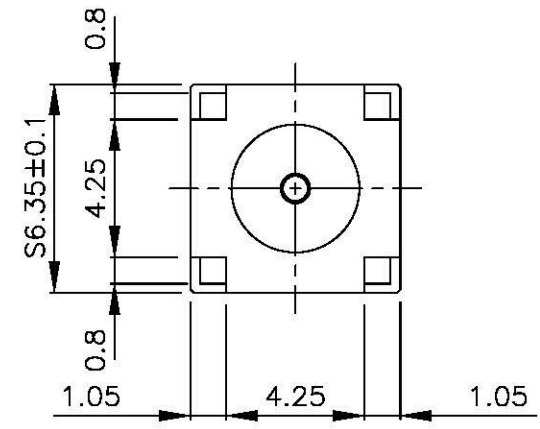
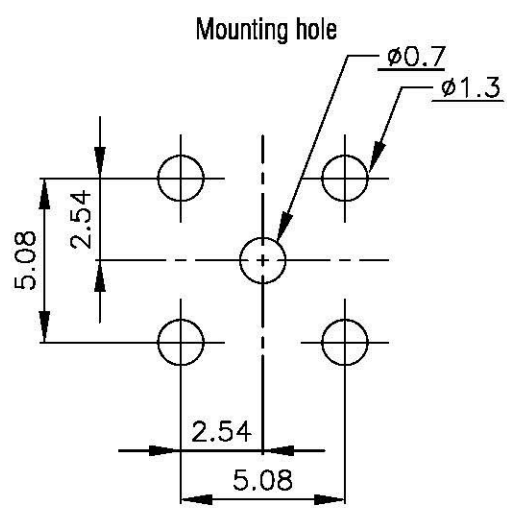
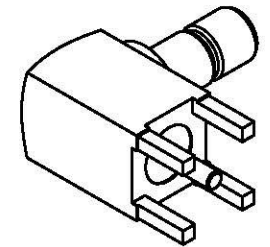
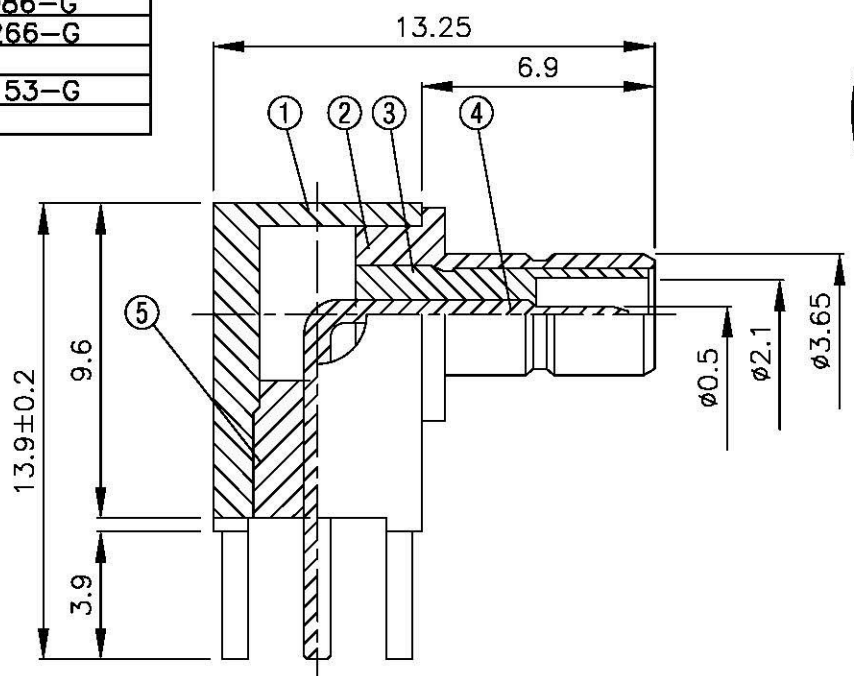
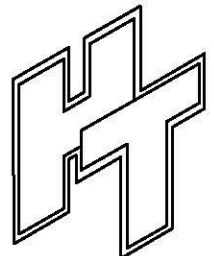



NO	DESCRIPTION	MATERIAL	Q'TY	FINISH	REMARK
1	BODY 1	BRASS	1	GOLD	B-SMA0086-G
2	BODY 2	BRASS	1	GOLD	B-SMB0266-G
3	INSULATION 1	TEFLON	1	TEFLON	I-0058T
4	PIN	BRASS	1	GOLD	P-SMB0153-G
5	INSULATION 2	TEFLON	1	TEFLON	I-0055T



		DRAWN MARY DATE 96.06.01	DIMENSIONS ARE IN MILLIMETERS		REVISION		
	<small>www.allconnectors.de tel: +49 4104 711 0000 info@allconnectors.de</small>	<small>info@allconnectors.de fax: +49 4104 711 0004 kennzeichen: 25</small>	CHECKED 蘇姿潔 DATE	UNLESS OTHERWISE SPECIFIED TOLERANCE		DESCRIPTION	ENGINEER
	TITLE SMB ANGLE MALE FOR PC MOUNT	Q.A. 馮健華 DATE	0.5-5=±0.2 120-315=±1 5-30=±0.4 315-1000=±1.6 30-120±0.6 1000-2000=±2.4				
	PART NO. SMB-07-TGG	APPROVAL 徐燦霖 DATE	REVISION DATE	SCALE	4:1	SIZE	A
	DRAWING NO. SMB 07 TGG						