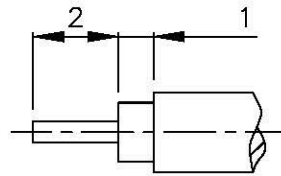
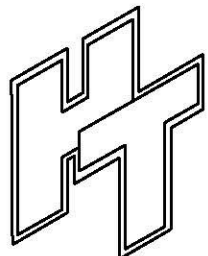
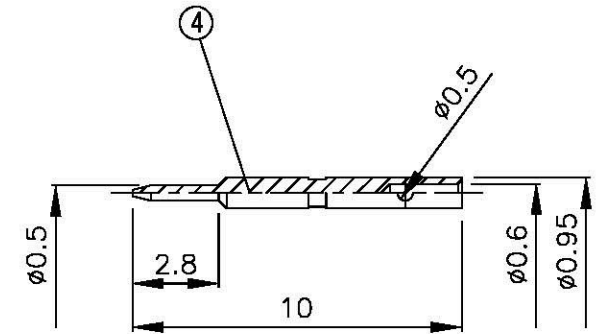
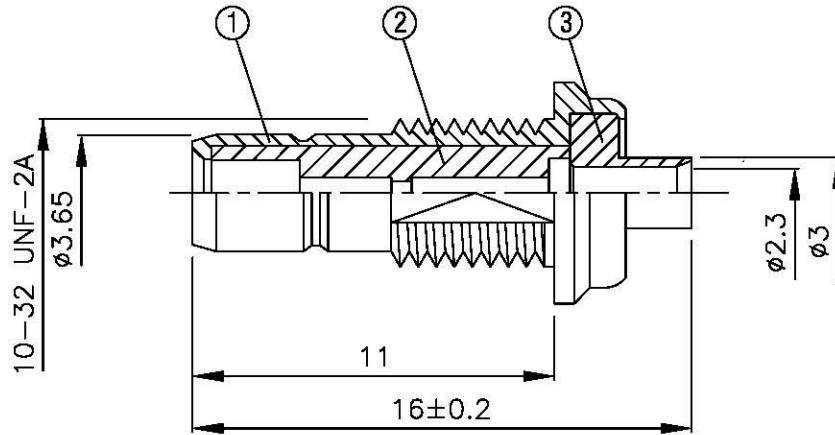
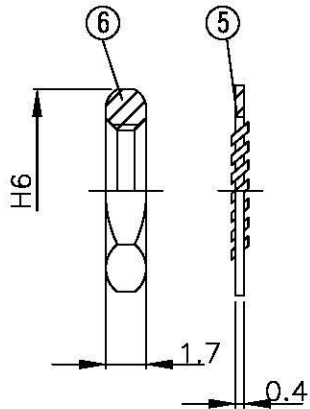
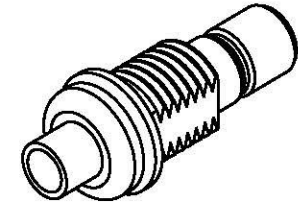


NO	DESCRIPTION	MATERIAL	Q'TY	FINISH
1	BODY 1	BRASS	1	GOLD
2	INSULATION	TEFLON	1	TEFLON
3	BODY 2	BRASS	1	GOLD
4	PIN	PH.BRONZE	1	GOLD
5	WASHER	BRASS	1	GOLD
6	NUT	BRASS	1	GOLD



(Recommended Stripping Dimension)



**All Connectors**

www.allconnectors.de  
info@allconnectors.de  
Tel: +49 714 208370  
Kulmburger Str. 12  
90762 Kulmbach

TITLE **SMB MALE SOLDER FOR  
RG-405 (.085)**

PART NO. **SMB-05V1-TGG**

DRAWING NO. **SMB-05V1-TGG**

DRAWN **MARY** DATE **96.03.05**

CHECKED **蘇姿潔** DATE

Q.A. **馮健華** DATE

APPROVAL **徐燦霖** DATE

REVISION DATE

DIMENSIONS ARE IN MILLIMETERS

UNLESS OTHERWISE SPECIFIED  
TOLERANCE  
0.5-5=±0.2 120-315=±1  
5-30= ±0.4 315-1000=±1.6  
30-120±0.6 1000-2000=±2.4

SCALE **4:1** SIZE **A**

REVISION

DESCRIPTION	ENGINEER