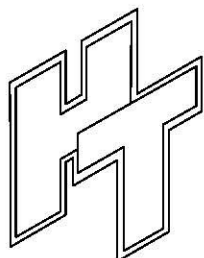
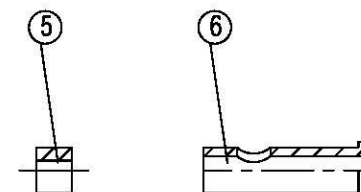
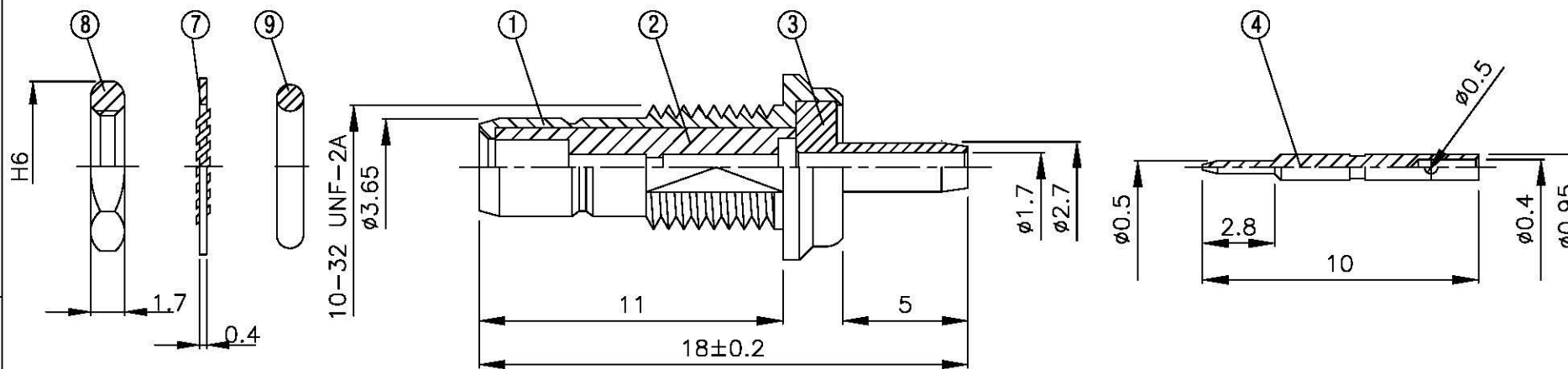
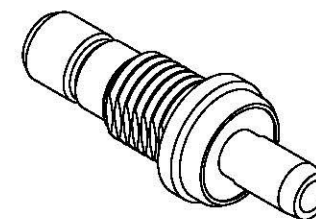
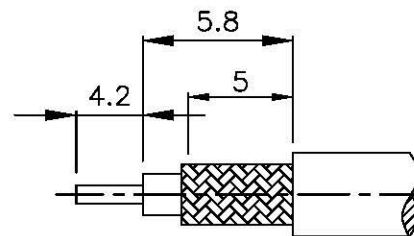


NO	DESCRIPTION	MATERIAL	Q'TY	FINISH	REMARK
1	BODY 1	BRASS	1	GOLD	B-SMB0523-G
2	INSULATION 1	TEFLON	1	TEFLON	I-0015T
3	BODY 2	BRASS	1	GOLD	B-SMB0173-G
4	PIN	PH.BRONZE	1	GOLD	P-SMC0115-G
5	INSULATION 2	TEFLON	1	TEFLON	I-0256T
6	BRASS 3	BRASS	1	GOLD	B-SMA0473-G
7	WASHER	BRASS	1	GOLD	W-0009-G
8	NUT	BRASS	1	GOLD	N-0005-G
9	GASKET	SI RUBBER	1	RUBBER	RU-0041



All Connectors
 www.allconnectors.com
 Tel: 8620 51001000
 Fax: 8620 51001001
 E-mail: info@allconnectors.com
 Tel: 8620 51001002
 Fax: 8620 51001003
 E-mail: sales@allconnectors.com

TITLE **SMB MALE CRIMP FOR RG-178/U**

PART NO. **SMB-05M-TGG-1**

DRAWING NO. **SMB-05M-TGG-1**

DRAWN **MARY** DATE **91.01.17**

CHECKED **黄巧君** DATE

Q.A. **蘇姿潔** DATE

APPROVAL **徐燦霖** DATE

REVISION DATE

DIMENSIONS ARE IN MILLIMETERS

UNLESS OTHERWISE SPECIFIED TOLERANCE

0.5-5=±0.2 120-315=±1
 5-30=±0.4 315-1000=±1.6
 30-120±0.6 1000-2000=±2.4

SCALE **4:1** SIZE **A**

REVISION

DESCRIPTION ENGINEER