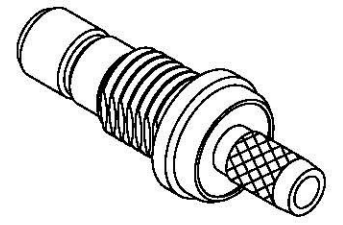
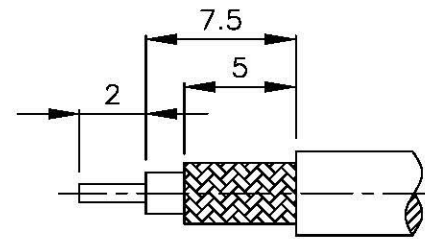
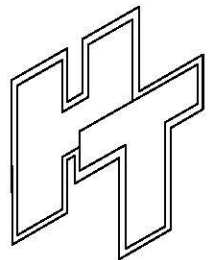
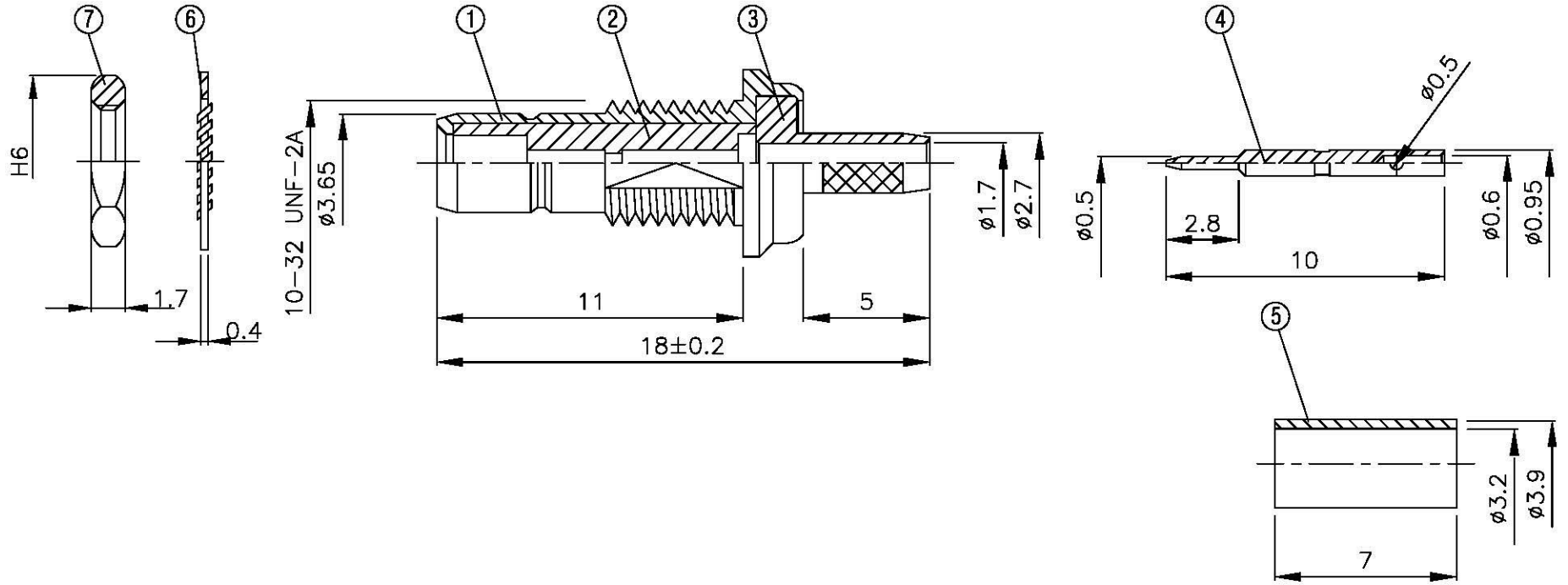


NO	DESCRIPTION	MATERIAL	Q'TY	FINISH	REMARK
1	BODY 1	BRASS	1	GOLD	B-SMB0523-G
2	INSULATION	TEFLON	1	TEFLON	I-0015T
3	BODY 2	BRASS	1	GOLD	B-SMB0172-G
4	PIN	PH.BRONZE	1	GOLD	P-SMC0097-G
5	RING	BRASS	1	GOLD	R-0001-G
6	WASHER	BRASS	1	GOLD	W-0009-G
7	NUT	BRASS	1	GOLD	N-0005-G



(Recommended Stripping Dimension)



Allconnectors

www.allconnectors.de
Tel.: 0049 711 7005205
70794 Hildesheim, Germany

info@allconnectors.de
Fax: 0049 711 7005204
Kettelerstr. 25

TITLE **SMB MALE CRIMP FOR
RG316U,174U**

PART NO. **SMB-05LV1-TGG**

DRAWING NO. **SMB-05LV1-TGG**

DRAWN **MARY** DATE **96.03.15**

CHECKED **黄巧君** DATE

Q.A. **蘇姿潔** DATE

APPROVAL **徐燦霖** DATE

REVISION DATE

DIMENSIONS ARE IN MILLIMETERS

UNLESS OTHERWISE SPECIFIED
TOLERANCE

0.5-5=±0.2	120-315=±1
5-30= ±0.4	315-1000=±1.6
30-120±0.6	1000-2000=±2.4

SCALE **4:1** SIZE **A**

REVISION

DESCRIPTION	ENGINEER