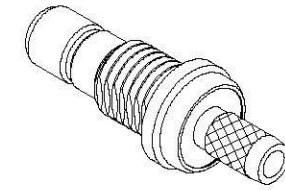


NO	DESCRIPTION	MATERIAL	Q'TY	FINISH
1	BODY 1	BRASS	1	GOLD
2	INSULATION	TEFLON	1	TEFLON
3	BODY 2	BRASS	1	GOLD
4	PIN	PH.BRONZE	1	GOLD
5	RING	BRASS	1	GOLD
6	WASHER	BRASS	1	GOLD
7	NUT	BRASS	1	GOLD



D

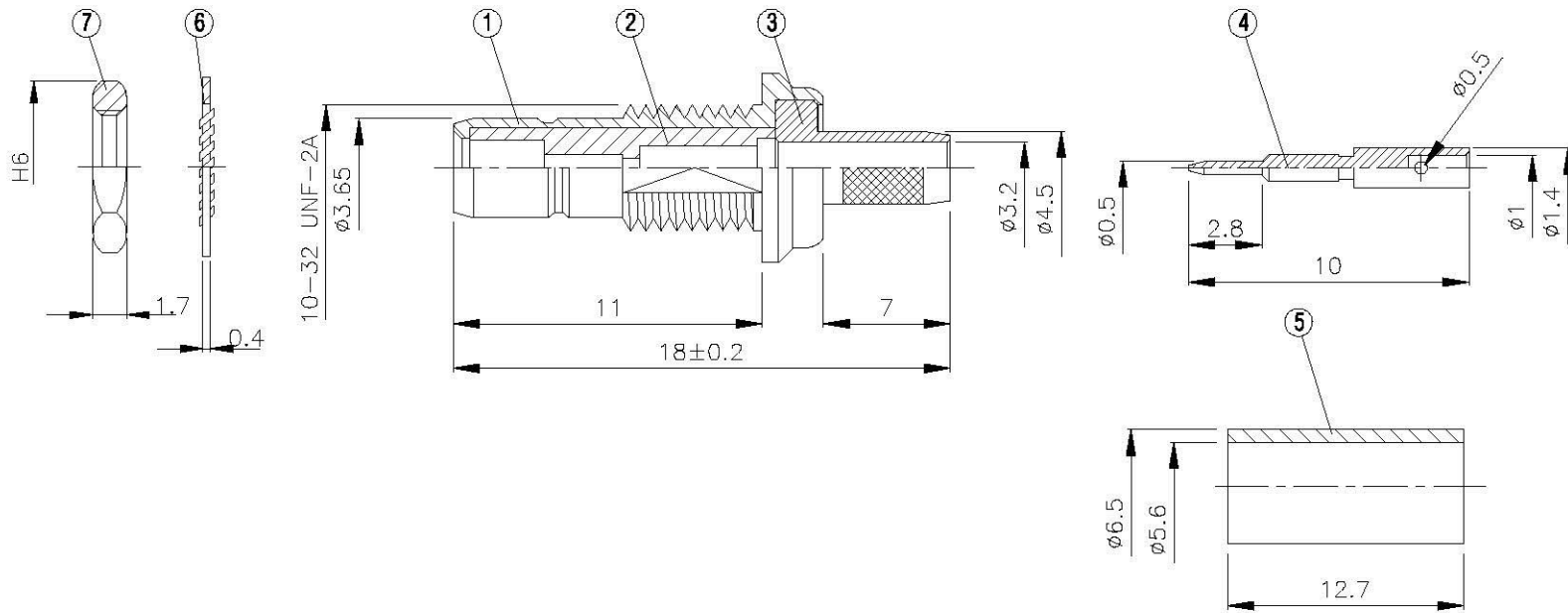
D

C

C

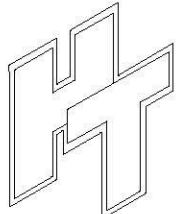
B

B



A

A

	<b>All Connectors</b> <small>www.allconnectors.de          TEL: 0049 213 240000          20254 Finkenstädt / Germany</small>	DRAWN <b>MARY</b> CHECKED <b>蘇志欣</b> Q.A. <b>蘇姿潔</b> APPROVAL <b>徐燦霖</b> REVISION	DATE <b>97.06.04</b> DATE <b>97.06.04</b> DATE DATE	DIMENSIONS ARE IN MILLIMETERS UNLESS OTHERWISE SPECIFIED TOLERANCE 0.5-5=±0.2    120-315=±1 5-30= ±0.4    315-1000=±1.6 30-120±0.6    1000-2000=±2.4	REVISION	
	TITLE <b>SMB MALE CRIMP FOR FOR RG 58/U</b>	PART NO. <b>SMB-05F-TGG</b>	DRAWING NO. <b>SMB-05F-TGG</b>	SCALE <b>4:1</b> SIZE <b>A</b>	DESCRIPTION	ENGINEER

4

3

2

1