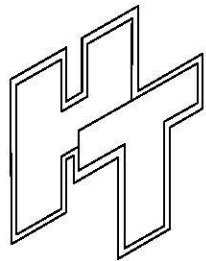
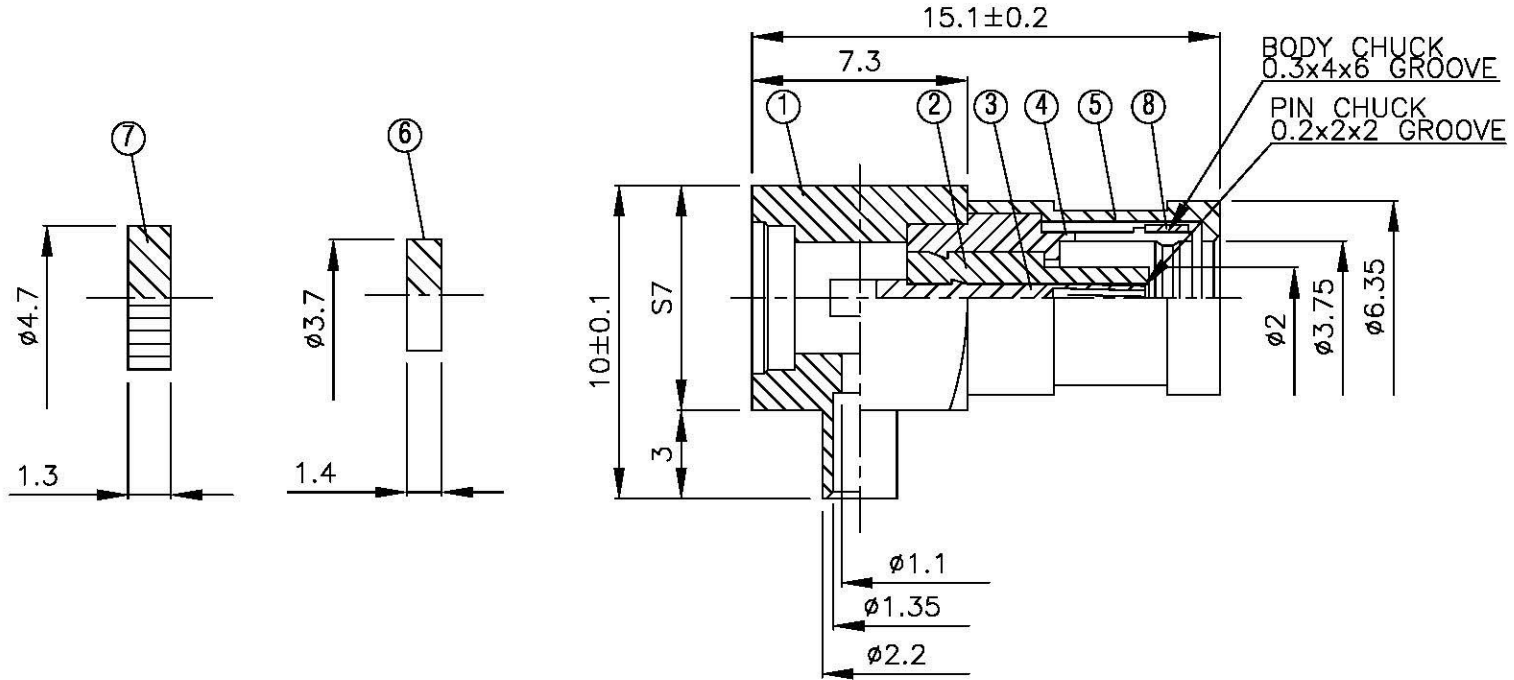
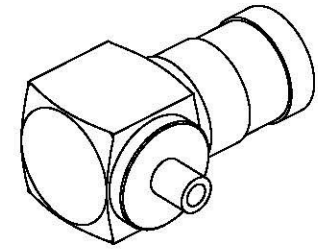
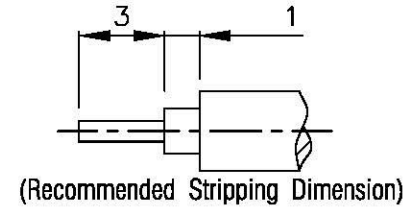


NO	DESCRIPTION	MATERIAL	Q'TY	FINISH	REMARK
1	BODY 1	BRASS	1	GOLD	B-SMB0254-G
2	INSULATION 1	TEFLON	1	TEFLON	I-0053T
3	PIN	BE CU	1	GOLD	P-SMB0145-G
4	BODY 2	BRASS	1	GOLD	B-SMB0479-G
5	BODY 3	BRASS	1	GOLD	B-SMB0245-G
6	INSULATION 2	TEFLON	1	TEFLON	I-0136T
7	WASHER	BRASS	1	GOLD	W-0023-G
8	WASHER	BRASS	1	GOLD	W-0035-G



Allconnectors

email: allconnectors@allconnectors.de
 phone: +49 7141 990000
 20794 Elmshorn - Germany

TITLE
SMB FEMALE ANGLE SOLDER (.047)

PART NO.
SMB-03V3-TGG

DRAWING NO.
SMB 03V3 TGG

DRAWN	MARY	DATE	96.03.12
CHECKED	黄巧君	DATE	
Q.A.	蘇姿潔	DATE	
APPROVAL	徐燦霖	DATE	
REVISION		DATE	

DIMENSIONS ARE IN MILLIMETERS			
UNLESS OTHERWISE SPECIFIED TOLERANCE			
0.5-5=±0.2	120-315=±1		
5-30=±0.4	315-1000=±1.6		
30-120±0.6	1000-2000=±2.4		
SCALE	4:1	SIZE	A

REVISION	
DESCRIPTION	ENGINEER

4

3

2

1