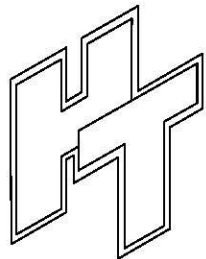
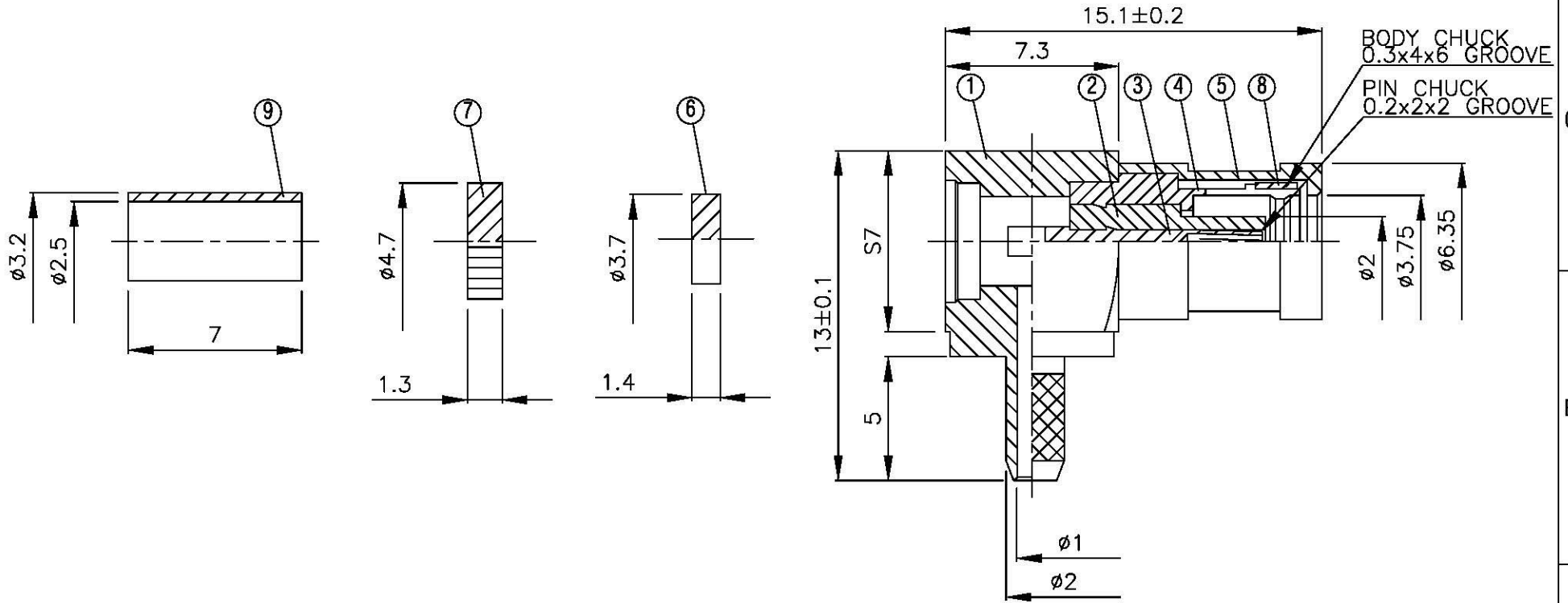
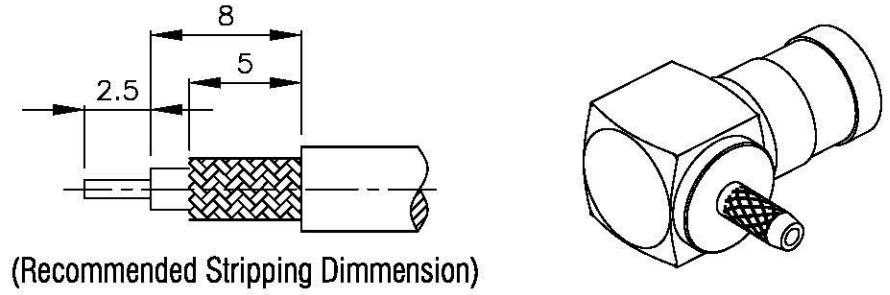


NO	DESCRIPTION	MATERIAL	Q'TY	FINISH	REMARK
1	BODY 1	BRASS	1	NICKEL	B-SMA0214-N
2	INSULATION 1	TEFLON	1	TEFLON	I-0053T
3	PIN	BE CU	1	GOLD	P-SMB0145-G
4	BODY 2	BRASS	1	NICKEL	B-SMB0479-N
5	BODY 3	BRASS	1	NICKEL	B-SMB0245-N
6	INSULATION 2	TEFLON	1	TEFLON	I-0136T
7	WASHER 2	BRASS	1	NICKEL	W-0023-N
8	WASHER 3	PH.BRONZE	1	NICKEL	W-0035-N
9	RING	BRASS	1	NICKEL	R-0038-N



All Connectors

www.allconnectors.com
Tel: +0049 7441 7008008
20798 Pilsenstr. 11, Germany

info@allconnectors.de
Fax: +0049 7441 7008006
Kath. Markt 25

TITLE **SMB FEMALE ANGLE CRIMP FOR RG178U**

PART NO. **SMB-03M-TGN**

DRAWING NO. **SMB 03M TGN**

DRAWN	MARY	DATE	96.03.12
CHECKED	黄巧君	DATE	
Q.A.	蘇姿潔	DATE	
APPROVAL	徐燦霖	DATE	
REVISION		DATE	

DIMENSIONS ARE IN MILLIMETERS			
UNLESS OTHERWISE SPECIFIED TOLERANCE			
0.5-5=±0.2	120-315=±1		
5-30=±0.4	315-1000=±1.6		
30-120±0.6	1000-2000=±2.4		
SCALE	4:1	SIZE	A

REVISION	
DESCRIPTION	ENGINEER