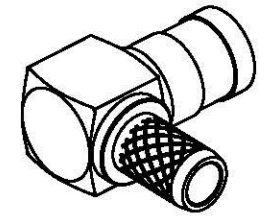
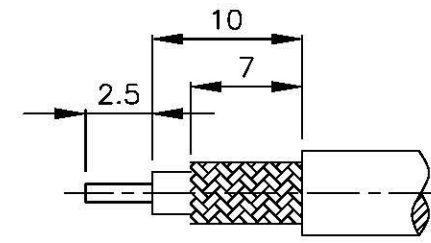
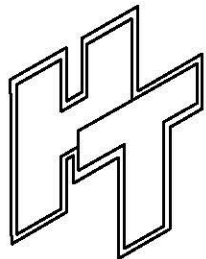
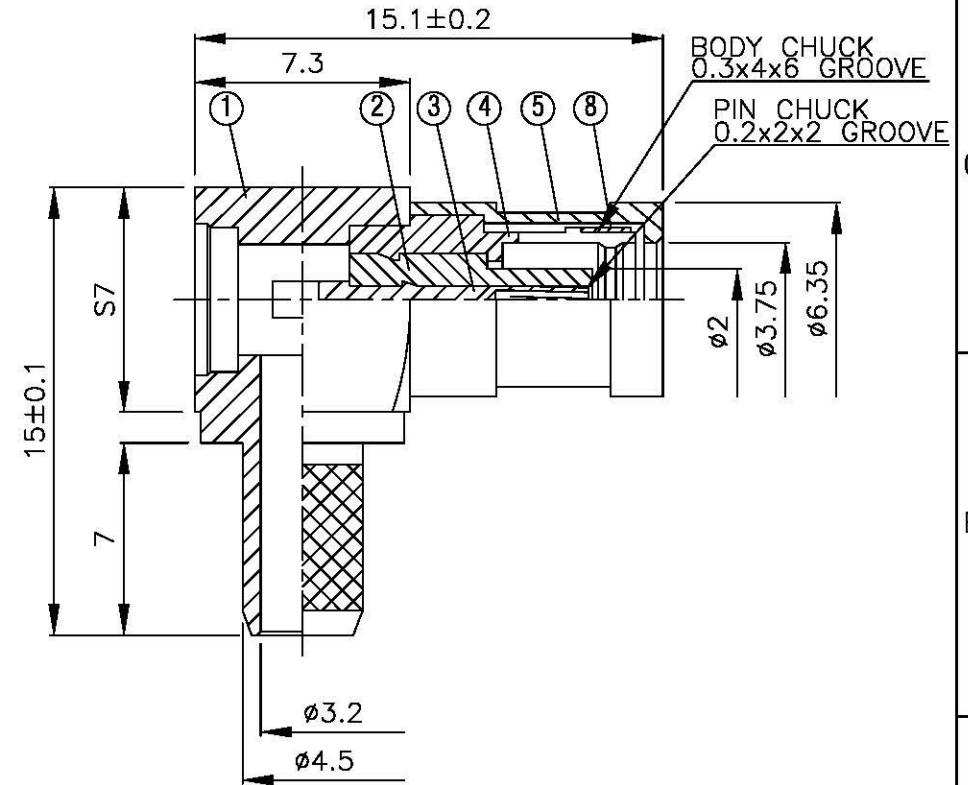
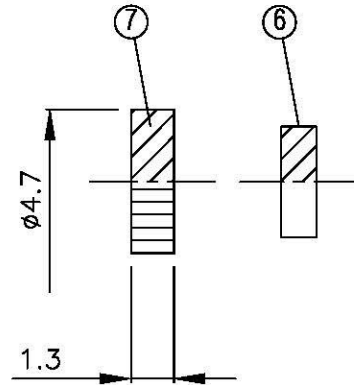
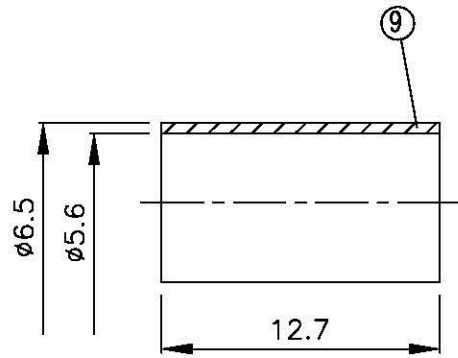


NO	DESCRIPTION	MATERIAL	Q'TY	FINISH	REMARK
1	BODY 1	BRASS	1	NICKEL	B-SMA0140-G
2	INSULATION 1	TEFLON	1	TEFLON	I-0053T
3	PIN	BE CU	1	GOLD	P-SMB0642-G
4	BODY 2	BRASS	1	NICKEL	B-SMB0479-G
5	BODY 3	BRASS	1	NICKEL	B-SMB0245-G
6	INSULATION 2	TEFLON	1	TEFLON	I-0136T
7	WASHER 1	BRASS	1	NICKEL	W-0023-G
8	WASHER 2	PH.BRONZE	1	NICKEL	W-0035-G
9	RING	BRASS	1	NICKEL	R-0007-G



(Recommended Stripping Dimension)



All Connectors

www.allconnectors.com
Tel: 0086 755 7088208
0086 852 8868811 (Korea only)

1 Floor, Lohmeyer Building
Tel: 0086 755 7088208
0086 852 8868811

TITLE SMB FEMALE ANGLE CRIMP FOR RG58U

PART NO. SMB-03F-TGN

DRAWING NO. SMB 03F TGN

DRAWN	MARY	DATE	96.03.12
CHECKED	蘇姿潔	DATE	
Q.A.	馮健華	DATE	
APPROVAL	徐燦霖	DATE	
REVISION		DATE	

DIMENSIONS ARE IN MILLIMETERS			
UNLESS OTHERWISE SPECIFIED TOLERANCE			
0.5-5=±0.2	120-315=±1		
5-30=±0.4	315-1000=±1.6		
30-120±0.6	1000-2000=±2.4		
SCALE	4:1	SIZE	A

REVISION	
DESCRIPTION	ENGINEER

4

3

2

1