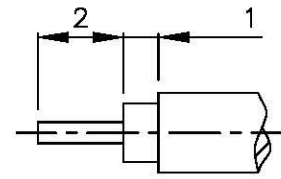
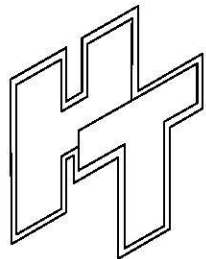
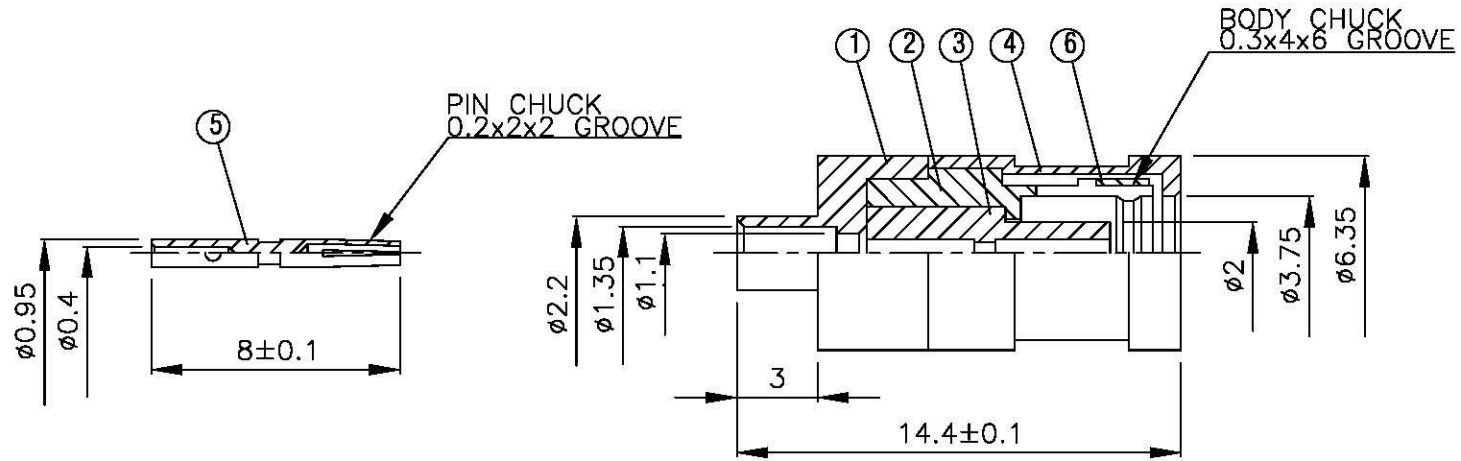
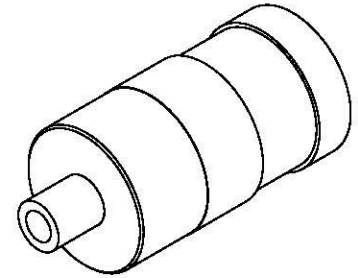


NO	DESCRIPTION	MATERIAL	Q'TY	FINISH	REMARK
1	BODY 1	BRASS	1	GOLD	B-SMB0257-G
2	BODY 2	BRASS	1	GOLD	B-SMB0263-G
3	INSULATION 1	TEFLON	1	TEFLON	I-0054T
4	BODY 3	BRASS	1	GOLD	B-SMB0245-G
5	PIN	BE CU	1	GOLD	P-SMB0148-G
6	WASHER	BE CU	1	GOLD	W-0035-G



(Recommended Stripping Dimension)



Allconnectors

www.allconnectors.de
Tel: 0049 711 7009503
30794 Filderstadt - Germany

Info@allconnectors.de
Fax: 0049 711 7009504
Kettelerstr. 28

DRAWN	MARY	DATE	96.03.13
CHECKED	黄巧君	DATE	
Q.A.	蘇姿潔	DATE	
APPROVAL	徐燦霖	DATE	
REVISION		DATE	

TITLE	SMB FEMALE SOLDER (.047)
PART NO.	SMB-02V3-TGG
DRAWING NO.	SMB 02V3 TGG

DIMENSIONS ARE IN MILLIMETERS			
UNLESS OTHERWISE SPECIFIED TOLERANCE			
0.5-5=±0.2	120-315=±1		
5-30=±0.4	315-1000=±1.6		
30-120±0.6	1000-2000=±2.4		
SCALE	4:1	SIZE	A

REVISION	
DESCRIPTION	ENGINEER