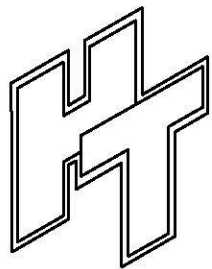
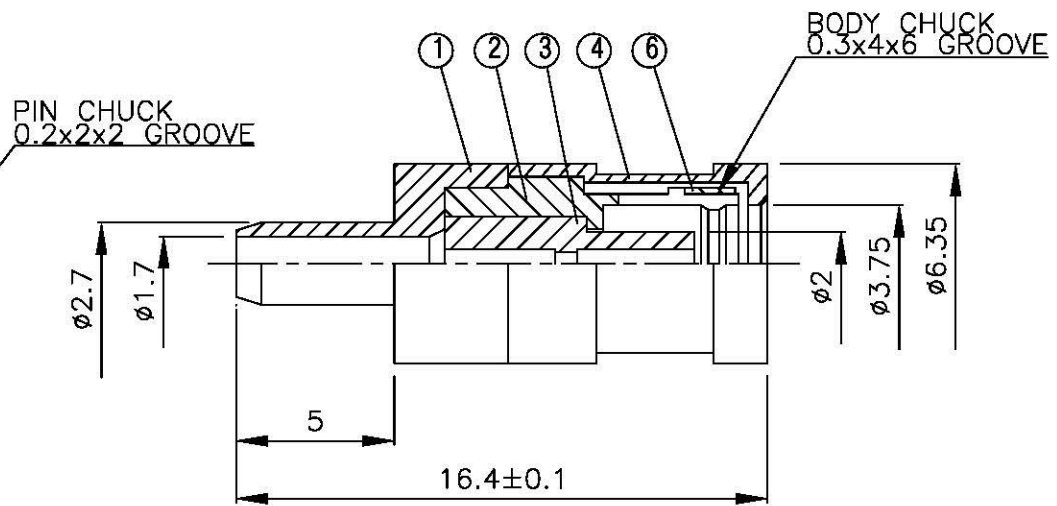
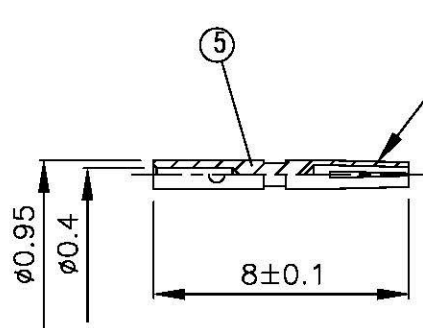
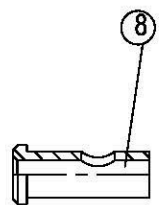
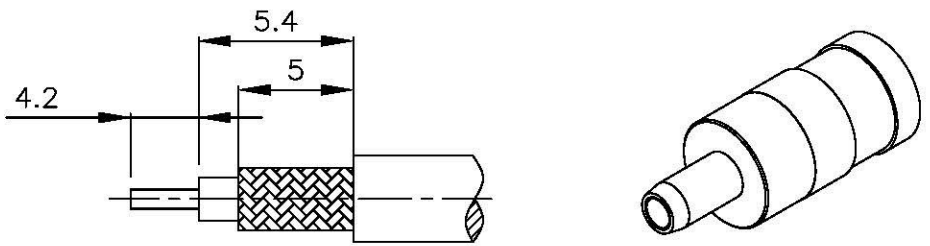


NO	DESCRIPTION	MATERIAL	Q'TY	FINISH	REMARK
1	BODY 1	BRASS	1	GOLD	B-SMB0255-G
2	BODY 2	BRASS	1	GOLD	B-SMA0263-G
3	INSULATION 1	TEFLON	1	TEFLON	I-0054T
4	BODY 3	BRASS	1	GOLD	B-SMB0245-G
5	PIN	BE CU	1	GOLD	P-SMB0148-G
6	WASHER	BE CU	1	GOLD	W-0035-G
7	INSULATION 2	TEFLON	1	TEFLON	I-0470T
8	BRASS	BRASS	1	GOLD	B-SMA0861-G



All Connectors
 Kowloon Industrial Electronics Ltd. info@allconnectors.com
 TEL: 00854 211 2999053 FAX: 00854 211 2999054
 707291 Hiltbergstr. - Germany Kietzmannstr. 25

TITLE **SMB FEMALE CRIMP FOR 1.13 CABLE**

PART NO. **SMB-02U1-TGG**

DRAWING NO. **SMB 02U1 TGG**

DRAWN	MARY	DATE	96.03.14
CHECKED	黄巧君	DATE	
Q.A.	蘇姿潔	DATE	
APPROVAL	徐燦霖	DATE	
REVISION		DATE	

DIMENSIONS ARE IN MILLIMETERS			
UNLESS OTHERWISE SPECIFIED TOLERANCE			
0.5-5=±0.2	120-315=±1		
5-30=±0.4	315-1000=±1.6		
30-120±0.6	1000-2000=±2.4		
SCALE	4:1	SIZE	A

REVISION	
DESCRIPTION	ENGINEER