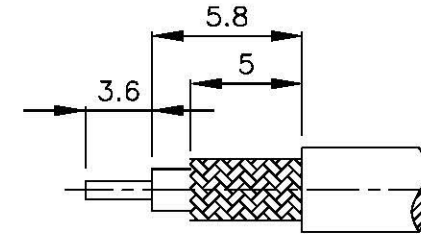
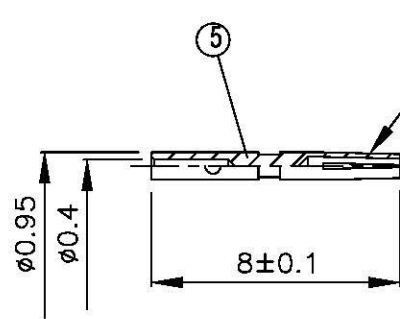
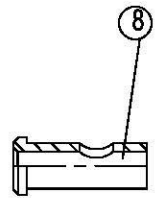
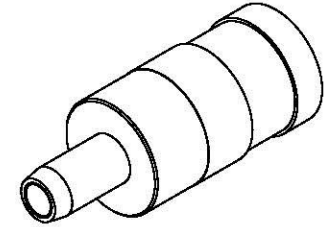


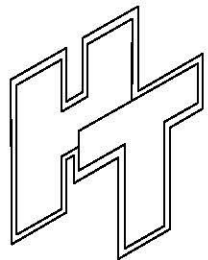
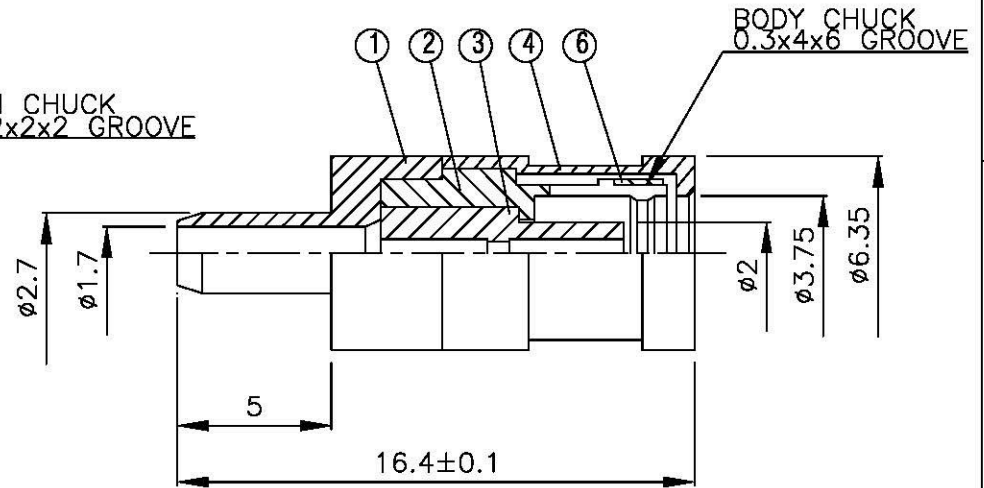
NO	DESCRIPTION	MATERIAL	Q'TY	FINISH	REMARK
1	BODY 1	BRASS	1	GOLD	B-SMB0255-G
2	BODY 2	BRASS	1	GOLD	B-SMA0263-G
3	INSULATION 1	TEFLON	1	TEFLON	I-0054T
4	BODY 3	BRASS	1	GOLD	B-SMB0245-G
5	PIN	BE CU	1	GOLD	P-SMB0148-G
6	WASHER	BE CU	1	GOLD	W-0035-G
7	INSULATION 2	TEFLON	1	TEFLON	I-0304T
8	BRASS	BRASS	1	GOLD	B-SMA0473-G



(Recommended Stripping Dimension)



PIN CHUCK  
0.2x2x2 GROOVE



**All Connectors**

www.allconnectors.de  
Tel.: 0049 711 7005001  
20221 Nieferstedt - Germany

info@allconnectors.de  
Fax: 0049 711 7005001  
Kettnerstr. 25

DRAWN MARY DATE 96.03.13

CHECKED 黄巧君 DATE

Q.A. 蘇姿潔 DATE

APPROVAL 徐燦霖 DATE

REVISION DATE

TITLE SMB FEMALE CRIMP FOR RG178/U

PART NO. SMB-02M-TGG

DRAWING NO. SMB 02M TGG

DIMENSIONS ARE IN MILLIMETERS

UNLESS OTHERWISE SPECIFIED TOLERANCE

0.5-5=±0.2 120-315=±1

5-30=±0.4 315-1000=±1.6

30-120±0.6 1000-2000=±2.4

SCALE 4:1 SIZE A

REVISION

DESCRIPTION ENGINEER